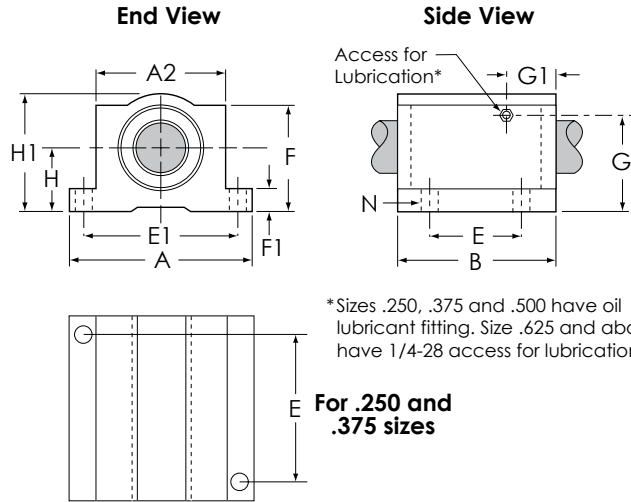


Super Ball Bushing™ Pillow Blocks (Closed Type) for End-Supported Applications



| Super Ball Bushing™ Pillow Blocks (Closed Type, seal at both ends) (Dimensions in inches) | | | | | | | | |
|--|------------------|------|------|------|-------------|--------------|------|-----|
| Catalog Number | Nominal Diameter | A | A2 | B | E ± .010 | E1 ± .010 | F | F1 |
| TSPB-4 | .250 | 1.63 | 1.00 | 1.19 | .750 | 1.313 | .75 | .19 |
| TSPB-6 | .375 | 1.75 | 1.13 | 1.31 | .875 | 1.438 | .88 | .19 |
| TSPB-8 | .500 | 2.00 | 1.38 | 1.69 | 1.000 | 1.688 | 1.13 | .25 |
| TSPB-10 | .625 | 2.50 | 1.75 | 1.94 | 1.125 | 2.125 | 1.44 | .28 |
| TSPB-12 | .750 | 2.75 | 1.88 | 2.06 | 1.250 | 2.375 | 1.56 | .31 |
| TSPB-16 | 1.000 | 3.25 | 2.38 | 2.81 | 1.750 | 2.875 | 1.94 | .38 |
| TSPB-20 | 1.250 | 4.00 | 3.00 | 3.63 | 2.000 | 3.500 | 2.50 | .44 |
| TSPB-24 | 1.500 | 4.75 | 3.50 | 4.00 | 2.500 | 4.125 | 2.88 | .50 |
| TSPB-32 | 2.000 | 6.00 | 4.50 | 5.00 | 3.250 | 5.250 | 3.63 | .63 |

| Catalog Number | G | G1 | H ± .003 | H1 | N | | Pillow Block Mass lb | Dynamic ^A Load Capacity lbf |
|----------------|------|------|-------------|------|------|------|-------------------------|---|
| | | | | | Hole | Bolt | | |
| TSPB-4 | .61 | .22 | .437 | .81 | .16 | #6 | .10 | 60 |
| TSPB-6 | .72 | .22 | .500 | .94 | .16 | #6 | .13 | 100 |
| TSPB-8 | .69 | .84 | .687 | 1.25 | .16 | #6 | .20 | 255 |
| TSPB-10 | .70 | .68 | .875 | 1.63 | .19 | #8 | .50 | 450 |
| TSPB-12 | .94 | .72 | .937 | 1.75 | .19 | #8 | .60 | 600 |
| TSPB-16 | 1.20 | .86 | 1.187 | 2.19 | .22 | #10 | 1.20 | 1050 |
| TSPB-20 | 1.50 | 1.20 | 1.500 | 2.81 | .22 | #10 | 2.50 | 1500 |
| TSPB-24 | 1.75 | 1.25 | 1.750 | 3.25 | .28 | 1/4 | 3.80 | 2000 |
| TSPB-32 | 2.12 | 1.58 | 2.125 | 4.06 | .41 | 3/8 | 7.00 | 3000 |

^A See the chart on the bottom half of the next page.

Continued on the next page

NOTE: Catalog number is for a standard item.
For other options, add: **CR** Corrosion-Resistant, or **NB** Nylon Balls to end of catalog number.