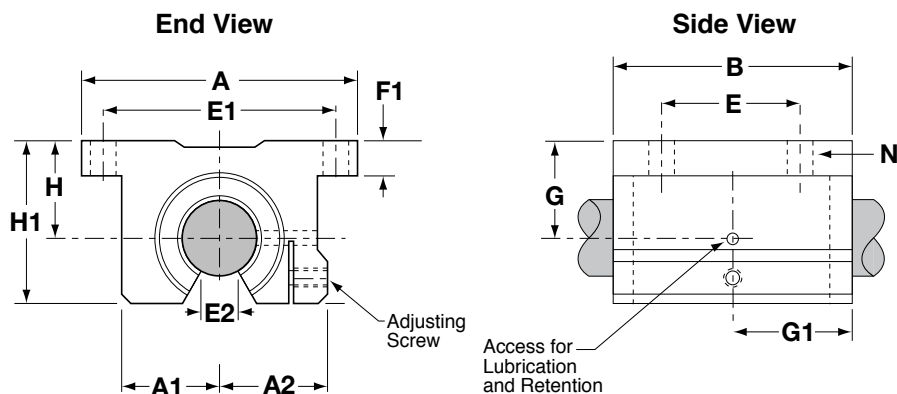


Super Smart Ball Bushing™ Pillow Blocks (Open Type) for Continuously-Supported Applications



Super Smart Ball Bushing™ Pillow Blocks (Open Type) (Dimensions in inches)									
Catalog Number	Nominal Diameter	A	A1	A2	B	E ± .010	E1 ± .010	E2 Min.	F1
TSSUPBO-8	.500	2.00	.69	.75	1.50	1.000	1.688	.31	.25
TSSUPBO-10	.625	2.50	.88	.94	1.75	1.125	2.125	.34	.28
TSSUPBO-12	.750	2.75	.94	1.00	1.88	1.250	2.375	.41	.31
TSSUPBO-16	1.000	3.25	1.19	1.25	2.63	1.750	2.875	.53	.38
TSSUPBO-20	1.250	4.00	1.50	1.63	3.38	2.000	3.500	.62	.44
TSSUPBO-24	1.500	4.75	1.75	1.88	3.75	2.500	4.125	.74	.50

Catalog Number	G	G1	H ± .003	H1	N		Pillow Block Mass lb	Dynamic* Load Capacity lbf
					Hole	Bolt		
TSSUPBO-8	.69	.69	.687	1.13	.16	#6	.23	360
TSSUPBO-10	.88	.88	.875	1.44	.19	#8	.41	620
TSSUPBO-12	.94	.94	.937	1.56	.19	#8	.51	1130
TSSUPBO-16	1.19	1.32	1.187	2.00	.22	#10	1.03	1900
TSSUPBO-20	1.50	1.69	1.500	2.56	.22	#10	2.15	2350
TSSUPBO-24	1.75	1.88	1.750	2.94	.28	.25	3.29	3880

*See the chart on the bottom half of the next page.

Continued on the next page

NOTE: Catalog number is for a standard item.
For other options, add: **CR** Corrosion-Resistant, **NB** Nylon Balls,
or **CM** Ceramic Balls to end of catalog number.