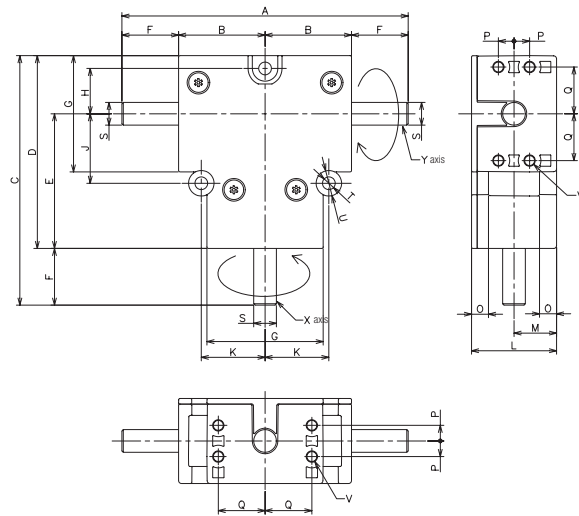
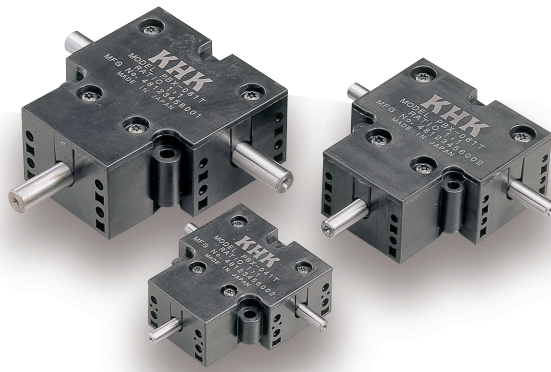


- [ Caution ]
- ① The arrow marks on the shafts are intended to show the relative direction of rotation. The units can be driven in the opposite direction as well.
  - ② In the standard unit, the X-axis rotates clockwise, and the Y-axis counterclockwise.
  - ③ The tolerance of shaft diameter is JIS h8.
  - ④ The shafts do not have keyways. Please use clamping type couplings to avoid slippage.
  - ⑤ The backlash at the X-axis (input shaft) is about 3 degrees.

Catalog No.	Speed Ratio	A	B	C	D	E	F	G	H	J	K	L	M	O	P	Q	S	T
KPBX-041L	1:1	51	20.5	55	45	32	10	26	9.5	16	15	18	9	4.5	3	10	φ4	φ3.5
KPBX-061L	1:1	70	27.5	73	58	41	15	34	13.5	20	19	26	13	4.5	4.5	14	φ6	φ3.5
KPBX-081L	1:1	81	30.5	88	68	47.5	20	41	16	24.5	22.5	30	15	6	5.5	16.5	φ8	φ4.5

U	V		Weight (g)	Catalog No.
	Diameter	Depth		
7	φ 2.5	11	45	KPBX-041L
7	φ 2.5	13	120	KPBX-061L
9	φ 3.3	14	200	KPBX-081L



- [ Caution ]
- ① The arrow marks on the shafts are intended to show the relative direction of rotation. The units can be driven in the opposite direction as well.
  - ② In the standard unit, the X-axis rotates clockwise, and the Y-axis counterclockwise.
  - ③ The tolerance of shaft diameter is JIS h8.
  - ④ The shafts do not have keyways. Please use clamping type couplings to avoid slippage.
  - ⑤ The backlash at the X-axis (input shaft) is about 3 degrees.

Catalog No.	Speed Ratio	A	B	C	D	E	F	G	H	J	K	L	M	O	P	Q	S	T
KPBX-041T	1:1	61	20.5	55	45	32	10	26	9.5	16	15	18	9	4.5	3	10	φ4	φ3.5
KPBX-061T	1:1	85	27.5	73	58	41	15	34	13.5	20	19	26	13	4.5	4.5	14	φ6	φ3.5
KPBX-081T	1:1	101	30.5	88	68	47.5	20	41	16	24.5	22.5	30	15	6	5.5	16.5	φ8	φ4.5

U	V		Weight (g)	Catalog No.
	Diameter	Depth		
7	φ 2.5	11	45	KPBX-041T
7	φ 2.5	13	120	KPBX-061T
9	φ 3.3	14	200	KPBX-081T