

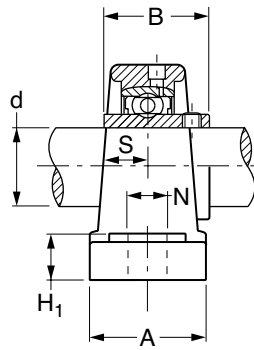
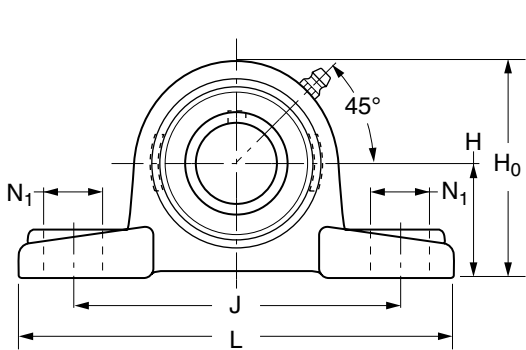


NEW

Standard Duty

PILLOW BLOCKS-SET SCREW TYPE

- Cast Iron Housing
- Solid Base
- Dual Seal Type



Catalog Number	Ød Shaft	H	L	J	A	N	N ₁	H ₁	H ₀	S	B	Bolt Size	Weight lb.
BBXBLK-UCP2018S	1/2												
BBXBLK-UCP20210S	5/8	1-3/16	4-15/16	3-3/4	1-1/4	15/32	5/8	1/2	2-1/4	7/16	1-5/64	3/8	1.32
BBXBLK-UCP20311S	11/16												
BBXBLK-UCP20412	3/4	1-5/16	5	3-3/4	1-15/32	1/2	5/8	9/16	2-1/2	15/32	1-7/32	3/8	1.43
BBXBLK-UCP20514	7/8												
BBXBLK-UCP20515	1-5/16	1-7/16	5-1/2	4-1/8	1-1/2	1/2	3/4	19/32	2-3/4	9/16	1-11/32	1/2	1.58
BBXBLK-UCP20516	1												
BBXBLK-UCP20618	1-1/8												
BBXBLK-UCP20619	1-3/16	1-11/16	6-5/16	4-3/4	1-23/32	9/16	3/4	5/8	3-7/32	5/8	1-1/2	1/2	2.53
BBXBLK-UCP20620	1-1/4												
BBXBLK-UCP20720	1-1/4												
BBXBLK-UCP20721	1-5/16	1-7/8	6-9/16	4-3/4	1-7/8	19/32	3/4	21/32	3-5/8	11/16	1-11/16	1/2	3.36
BBXBLK-UCP20722	1-3/8												
BBXBLK-UCP20723	1-7/16												
BBXBLK-UCP20824	1-1/2	1-15/16	7-3/32	5-3/8	2-1/8	19/32	13/16	23/32	3-27/32	3/4	1-15/16	1/2	4.14
BBXBLK-UCP20825	1-9/16												
BBXBLK-UCP20926	1-5/8												
BBXBLK-UCP20927	1-11/16	2-1/8	7-7/16	5-3/4	2-1/8	19/32	13/16	25/32	4-5/32	3/4	1-15/16	1/2	4.62
BBXBLK-UCP20928	1-3/4												
BBXBLK-UCP21030	1-7/8	2-1/4	8-1/32	6-1/4	2-1/4	3/4	7/8	13/16	4-13/32	3/4	2-1/32	5/8	5.51
BBXBLK-UCP21031	1-15/16												
BBXBLK-UCP21132	2												
BBXBLK-UCP21134	2-1/8	2-1/2	8-17/32	6-25/32	2-3/8	3/4	7/8	7/8	4-29/32	7/8	2-3/16	5/8	7.27
BBXBLK-UCP21135	2-3/16												
BBXBLK-UCP21236	2-1/4												
BBXBLK-UCP21238	2-3/8	2-3/4	9-3/8	7-5/16	2-19/32	3/4	1	15/16	5-13/32	1	2-9/16	5/8	12.12
BBXBLK-UCP21239	2-7/16												
BBXBLK-UCP21340	2-1/2	3	10-5/16	8	2-3/4	29/32	1-3/16	1-1/32	5-7/8	1	2-9/16	3/4	12.34
BBXBLK-UCP21444	2-3/4	3-1/8	10-15/32	8-9/32	2-27/32	29/32	1-5/32	1-1/16	6-3/32	1-3/16	2-15/16	3/4	14.56
BBXBLK-UCP21548	3	3-1/4	10-25/32	8-17/32	2-29/32	1	1-5/32	1-3/32	6-3/8	1-5/16	3-1/16	3/4	16.09
BBXBLK-UCP21752	3-1/4	3-3/4	12-7/32	9-23/32	3-9/32	1	1-3/16	1-1/4	7-5/16	1-11/32	3-3/8	3/4	23.76
BBXBLK-UCP21856	3-1/2	4	12-27/32	10-5/16	3-15/32	1-1/16	1-3/16	1-5/16	7-25/32	1-9/16	3-3/4	3/4	28.70

NOTE: See page 82 for insert bearing data.