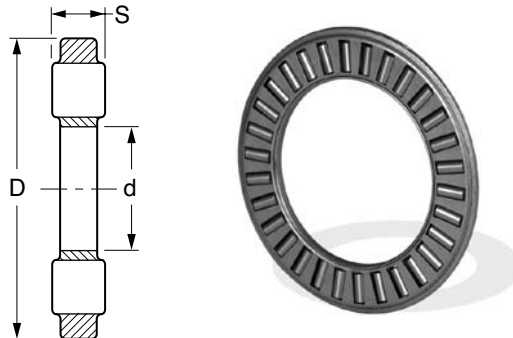


# NEW

## Axial Needle Roller THRUST BEARINGS

- Steel Needles



Catalog Number	d Bore	D Outside Dia.	S Width	Maximum Speed (rpm)	Load Rating N		Weight g
				Oil	Dynamic	Static	
BTHBNGMAXK0414TN*	4	14	2	18000	4380	7500	0.7
BTHBNGMAXK0515TN*	5	15		17000	4680	9100	0.8
BTHBNGMAXK0619TN*	6	19		16000	6740	15400	1
BTHBNGMAXK0821TN*	8	21	2	15000	7750	19000	2
BTHBNGMAXK1024	10	24		14000	9150	24500	3
BTHBNGMAXK1226	12	26		16000	9860	28600	3
BTHBNGMAXK1528	15	28	2	11000	11200	35500	4
BTHBNGMAXK1730	17	30		10000	11800	38600	4
BTHBNGMAXK2035	20	35		8500	12900	45600	5
BTHBNGMAXK2542	25	42	2	7000	13800	57800	7
BTHBNGMAXK3047	30	47		6000	15600	69500	8
BTHBNGMAXK3552	35	52		5500	16900	80100	10
BTHBNGMAXK4060	40	60	3	4700	27500	113500	16
BTHBNGMAXK4565	45	65		4300	29050	127600	18
BTHBNGMAXK5070	50	70		3900	31500	13800	20
BTHBNGMAXK5578	55	78	3	3500	37400	185000	28
BTHBNGMAXK6085	60	85		3200	43900	232500	33
BTHBNGMAXK6590	65	90		3000	45800	254600	35
BTHBNGMAXK7095	70	95	4	2900	53600	254400	60
BTHBNGMAXK75100	75	100		2700	54500	264600	61
BTHBNGMAXK80105	80	105		2600	55600	278500	63
BTHBNGMAXK85110	85	110	4	2400	57500	28800	67
BTHBNGMAXK90120	90	120		2300	72500	401000	86
BTHBNGMAXK100135	100	135		2000	90500	559500	104
BTHBNGMAXK110145	110	145	4	1900	96500	617500	122
BTHBNGMAXK120155	120	155	4	1700	101500	679600	131
BTHBNGMAXK130170	130	170	5	1600	132400	838900	205
BTHBNGMAXK140180	140	180	5	1500	137200	899600	219
BTHBNGMAXK150190	150	190		1400	142800	959000	232
BTHBNGMAXK160200	160	200		1300	147600	1015000	246

\*Plastic Retainer Only