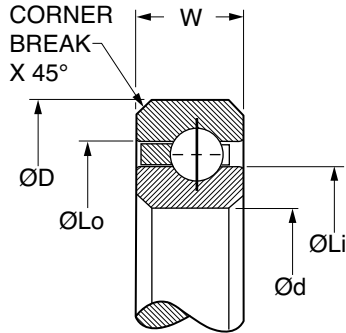




NEW

**Thin Section | Conrad Style
BALL BEARINGS**

- 52100 Chrome Steel
- Conrad Radial Contact
- Snap-Over Cage
- ABEC 1



Catalog Number	d Bore	D O.D.	Pitch	W Width	Ball Complement		Internal Clearance	
					Ball Qty.	Ball Dia.	Min.	Max.
BBXCRC-KD040CPO	4.000	5.0000	4.500	.5000	27	1/4	.0016	.0028
BBXCRC-KF040CPO		5.5000	4.750	.7500	19	3/8		
BBXCRC-KG040CPO		6.0000	5.000	1.0000	15	1/2		
BBXCRC-KA042CPO	4.246	4.7460	4.496	.2500	54	1/8	.0016	.0028
BBXCRC-KB042CPO		4.8710	4.559	.3125	45	5/32		
BBXCRC-KC042CPO		4.9960	4.621	.3750	37	3/16		
BBXCRC-KD042CPO	4.246	5.2460	4.746	.5000	28	1/4	.0016	.0028
BBXCRC-KF042CPO		5.7462	4.996	.7500	20	3/8		
BBXCRC-KG042CPO		6.2460	5.246	1.0000	15	1/2		
BBXCRC-KA045CPO	4.500	5.0000	4.750	.2500	57	1/8	.0016	.0028
BBXCRC-KB045CPO		5.1250	4.813	.3125	48	5/32		
BBXCRC-KC045CPO		5.2500	4.875	.3750	39	3/16		
BBXCRC-KD045CPO	4.500	5.5000	5.000	.5000	30	1/4	.0016	.0028
BBXCRC-KF045CPO		6.0000	5.250	.7500	21	3/8		

Catalog Number	Lo Outer Race I.D.	Li Inner Race O.D.	Corner Break	Weight lbs.	Max. Radial rpm	Max. Axial rpm	Load Rating	
							Radial lbs.	Axial lbs.
BBXCRC-KD040CPO	4.626	4.374	.07	.78	5250	0	1350	0
BBXCRC-KF040CPO	4.938	4.562	.09	1.90			2600	
BBXCRC-KG040CPO	5.251	4.749	.09	3.60			4450	
BBXCRC-KA042CPO	4.560	4.433	.03	.21	4235	0	510	0
BBXCRC-KB042CPO	4.638	4.480	.05	.31	4250		705	
BBXCRC-KC042CPO	4.716	4.527	.05	.47	4240		900	
BBXCRC-KD042CPO	4.872	4.620	.07	.83	4940	0	1400	0
BBXCRC-KF042CPO	5.185	4.808	.09	2.00	4900		2700	
BBXCRC-KG042CPO	5.497	4.995	.09	3.80	4900		4450	
BBXCRC-KA045CPO	4.813	4.687	.03	.23	4000	0	525	0
BBXCRC-KB045CPO	4.891	4.734	.05	.33			740	
BBXCRC-KC045CPO	4.970	4.780	.05	.48	4000	0	910	0
BBXCRC-KD045CPO	5.126	4.874	.07	.88			1450	
BBXCRC-KF045CPO	5.438	5.062	.09	2.10			2800	

NOTE: Larger sizes available upon request. Stainless Steel available upon special request.

Minimum buy quantities may apply.

Continued on the next page