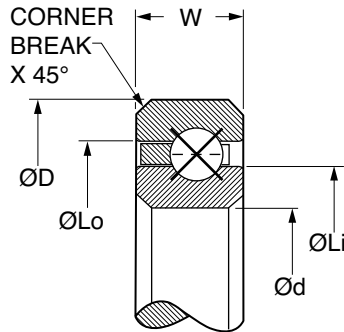




NEW

**Thin Section | Four-Point Contact
BALL BEARINGS**

- 52100 Chrome Steel
- Four-Point Contact Bearings
- Snap-Over Cage
- ABEC 1



Catalog Number	d Bore	D O.D.	Pitch	W Width	Ball Complement		Internal Clearance	
					Ball Qty.	Ball Dia.	Min.	Max.
BBXFOR-KAA10XLO	1.000	1.375	1.1875	.1875	21	3/32	.0010	.0015
BBXFOR-KAA15XLO	1.500	1.875	1.6875	.1875	29	3/32	.0012	.0017
BBXFOR-KAA17XLO	1.750	2.124	1.9375	.1875	33	3/32	.0012	.0022
BBXFOR-KA020XPO	2.000	2.500	2.2500	.2500	27	1/8	.0012	.0022
BBXFOR-KB020XPO		2.625	2.3125	.3125	23	5/32		
BBXFOR-KA025XPO	2.500	3.000	2.7500	.2500	33	1/8	.0012	.0022
BBXFOR-KB025XPO		3.125	2.8125	.3125	28	5/32		
BBXFOR-KA030XPO	3.000	3.500	3.2500	.2500	39	1/8	.0012	.0022
BBXFOR-KB030XPO		3.625	3.3125	.3125	33	5/32		

Catalog Number	Lo Outer Race I.D.	Li Inner Race O.D.	Corner Break	Weight lbs.	Max. Radial rpm	Max. Axial rpm	Load Rating	
							Radial lbs.	Axial lbs.
BBXFOR-KAA10XLO	1.235	1.141	.02	.03	4000	11000	147	367
BBXFOR-KAA15XLO	1.735	1.641	.02	.04	2666	7333	182	455
BBXFOR-KAA17XLO	1.985	1.891		.05	2285	6285	198	496
BBXFOR-KA020XPO	2.313	2.187	.03	.10	2000	5500	320	793
BBXFOR-KB020XPO	2.391	2.234	.05	.16		5000	450	1130
BBXFOR-KA025XPO	2.813	2.687	.03	.13	1600	4400	370	910
BBXFOR-KB025XPO	2.891	2.734	.05	.19			525	1295
BBXFOR-KA030XPO	3.313	3.187	.03	.15	1166	3300	410	1015
BBXFOR-KB030XPO	3.391	3.234	.05	.24	1350	3700	570	1400

NOTE: Larger sizes available upon request. Stainless Steel available upon special request.

Minimum buy quantities may apply.

Continued on the next page