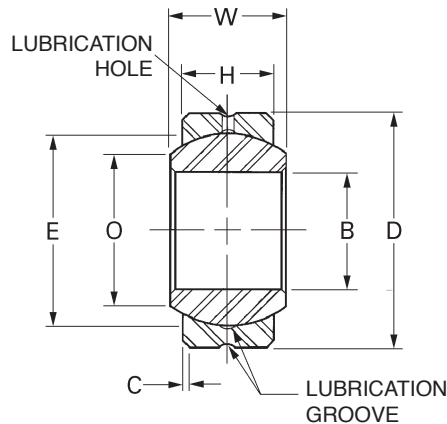




Two-Piece COMMERCIAL SPHERICAL BEARINGS

- Metal-to-Metal • Carbon Steel • Optional Self-Lubricating Liner



MATERIALS

OUTER RACE	BALL
Low-Carbon Steel Oil-Coated	52100 Steel Heat-Treated Hard Chrome Plated

Catalog Number	B Bore +.0025 -.0005	D Outside Dia. +.0000 -.0007	W Ball Width ±.005	H Width ±.010	C Chamfer +.015 -.000	E Ball Dia. Ref.	O Ball Flat Dia. Ref.	Max. Static Radial Load lbs.	Approx. Weight lbs.
BPFCOM-030	.1900	.5625	.281	.218	.015	.406	.293	3250	.02
BPFCOM-040	.2500	.6562	.343	.250	.022	.500	.364	4900	.02
BPFCOM-050	.3125	.7500	.375	.281		.562	.419	6450	.03
BPFCOM-060	.3750	.8125	.406	.312	.032	.656	.516	8250	.04
BPFCOM-070	.4375	.9062	.437	.343		.687	.530	10200	.05
BPFCOM-080	.5000	1.0000	.500	.390		.781	.600	13600	.07
BPFCOM-090	.5625	1.0937	.562	.437	.032	.875	.670	15900	.09
BPFCOM-100	.6250	1.1875	.625	.500		.968	.739	21000	.12
BPFCOM-120	.7500	1.4375	.750	.593		1.187	.920	30000	.21
BPFCOM-140	.8750	1.5625	.875	.703	.044	1.312	.980	41100	.27
BPFCOM-160	1.0000	1.7500	1.000	.797		1.500	1.118	54700	.38

- NOTES:** 1. Spherical Bearings available with self-lubricating liner.
 Add "T" to the end of catalog number. Example: **BPFCOM-100T**
 2. Bearings with liners have no lubrication hole or grooves in race.

See technical section for additional design options.

INCH

www.qbcbearings.com