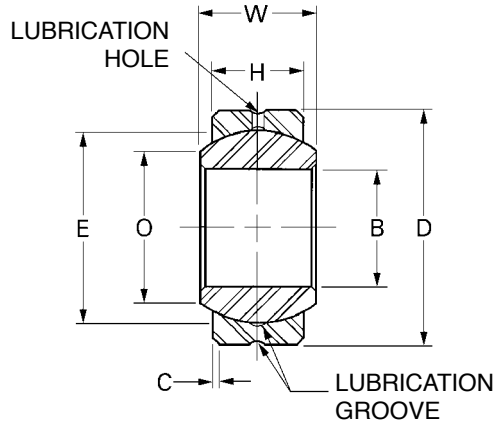




NEW

Two-Piece | Heavy-Duty PRECISION SPHERICAL BEARING

• Metal-to-Metal • Alloy Steel • Optional Self-Lubricating Liner



Materials

OUTER RACE	BALL
Alloy Steel	52100 Steel
Heat-Treated	Heat-Treated
Oil-Coated	Chrome Plated

Catalog Number	B Bore +.0000 -.0005	D Outside Dia. +.0000 -.0005	W Ball Width +.000 -.005	H Width ±.005	C Chamfer +.015 -.000	E Ball Dia. Ref.	O Ball Flat Dia. Ref.	Max. Static Radial Load lbs.	Approx. Weight lbs.
BPFFKS-030	.1900	.5625	.281	.218	.020	.406	.293	5400	.014
BPFFKS-040	.2500	.6562	.343	.250	.022	.500	.364	8400	.022
BPFFKS-050	.3125	.7500	.375	.281	.022	.562	.419	11600	.035
BPFFKS-060	.3750	.8125	.406	.312	.032	.625	.475	15600	.038
BPFFKS-070	.4375	.9062	.437	.343	.032	.687	.530	22300	.047
BPFFKS-080	.5000	1.0000	.500	.390	.032	.781	.600	26900	.065
BPFFKS-090	.5625	1.0937	.562	.437	.032	.875	.670	36000	.086
BPFFKS-100	.6250	1.1875	.625	.500	.032	.968	.739	40000	.110
BPFFKS-120	.7500	1.4375	.750	.593	.044	1.187	.920	78000	.204
BPFFKS-140	.8750	1.5625	.875	.703	.044	1.312	.980	86000	.263
BPFFKS-160	1.0000	1.7500	1.000	.797	.044	1.500	1.118	104000	.386

- NOTES:** 1. Spherical Bearings available with self-lubricating liner.
 Add "T" to the end of catalog number. Example: **BPFFKS-060T**
 2. Bearings with liners have no lubrication hole or grooves in race.

See technical section for additional design options.