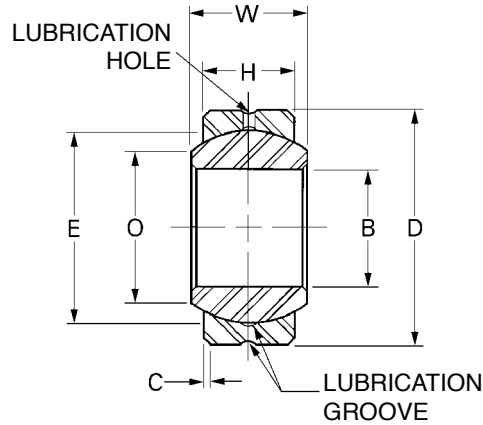


- Metal-to-Metal



Materials

OUTER RACE	BALL
300 Series Stainless Steel	440C Stainless Steel Heat-Treated

Catalog Number	B Bore +.0000 -.0005	D Outside Dia. +.0000 -.0005	W Ball Width +.000 -.005	H Width ±.005	C Chamfer +.015 -.000	E Ball Dia. Ref.	O Ball Flat Dia. Ref.	Max. Static Radial Load lbs.	Approx. Weight lbs.
BPSLHS-020	.1650	.4687	.250	.187	.020	.343	.235	3200	.01
BPSLHS-030	.1900	.5625	.281	.218	.020	.406	.293	4400	.02
BPSLHS-040	.2500	.6562	.343	.250	.022	.500	.364	6700	.02
BPSLHS-050	.3125	.7500	.375	.281	.022	.562	.419	9200	.03
BPSLHS-060	.3750	.8125	.406	.312	.032	.625	.475	12400	.04
BPSLHS-070	.4375	.9062	.437	.343	.032	.687	.530	14900	.05
BPSLHS-080	.5000	1.0000	.500	.390		.781	.600	17900	.07
BPSLHS-090	.5625	1.0937	.562	.437	.032	.875	.670	23700	.09
BPSLHS-100	.6250	1.1875	.625	.500		.968	.739	32000	.12
BPSLHS-120	.7500	1.4375	.750	.593		1.187	.920	48000	.21
BPSLHS-140	.8750	1.5625	.875	.703	.044	1.312	.980	69000	.27
BPSLHS-160	1.0000	1.7500	1.000	.797		1.500	1.118	83000	.38

See technical section for additional design options.