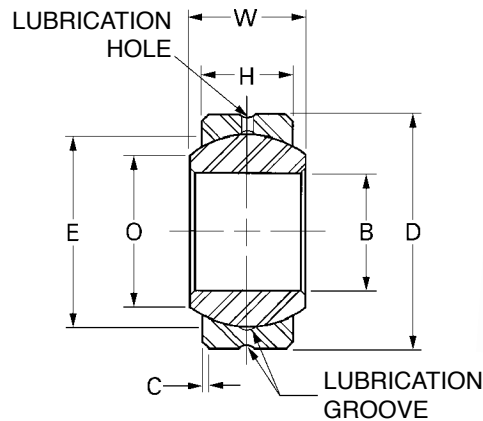


Two-Piece PRECISION SPHERICAL BEARINGS

• Metal-to-Metal • Alloy Steel



Materials

OUTER RACE	BALL
4130 or 4340 Alloy Steel Heat-Treated, Coated for Corrosion Resistance	52100 Alloy Steel Heat-Treated Chrome Plated

Catalog Number	B Bore +.0000 -.0005	D Outside Dia. +.0000 -.0005	W Ball Width +.000 -.005	H Width ±.005	C Chamfer +.015 -.000	E Ball Dia. Ref.	O Ball Flat Dia. Ref.	Max. Static Radial Load lbs.	Approx. Weight lbs.
BPFLHA-020	.1650	.4687	.250	.187	.020	.343	.235	4400	.01
BPFLHA-030	.1900	.5625	.281	.218	.020	.406	.293	6480	.02
BPFLHA-040	.2500	.6562	.343	.250	.022	.500	.364	10000	.02
BPFLHA-050	.3125	.7500	.375	.281	.022	.562	.419	13900	.03
BPFLHA-060	.3750	.8125	.406	.312	.032	.625	.475	18750	.04
BPFLHA-070	.4375	.9062	.437	.343	.032	.687	.530	22300	.05
BPFLHA-080	.5000	1.0000	.500	.390		.781	.600	26900	.07
BPFLHA-090	.5625	1.0937	.562	.437	.032	.875	.670	36000	.09
BPFLHA-100	.6250	1.1875	.625	.500		.968	.739	48000	.12
BPFLHA-120	.7500	1.4375	.750	.593		1.187	.920	78000	.21
BPFLHA-140	.8750	1.5625	.875	.703	.044	1.312	.980	103000	.27
BPFLHA-160	1.0000	1.7500	1.000	.797		1.500	1.118	125000	.38

See technical section for additional design options.