

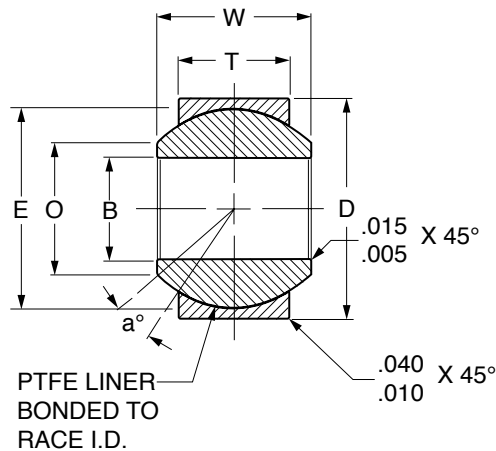


# NEW

## Four-Piece | Wide Series

### PRECISION SPHERICAL BEARINGS

- Stainless Steel • Self-Lubricating PTFE Liner



#### Materials

| BALL                                 | RACE                                       | LINER       |
|--------------------------------------|--|-------------|
| 440C Stainless Steel<br>Heat-Treated | 17-4 PH<br>Stainless Steel<br>Heat-Treated | PTFE Fabric |

| Catalog Number    | B<br>Dia.<br>+.0000<br>-.0005 | D<br>Dia.<br>+.0000<br>-.0005 | W<br>Width<br>+.000<br>-.002 | T<br>Width<br>+.005<br>-.005 | O<br>Ball Flat<br>Dia.<br>Ref. | E<br>Ball<br>Dia.<br>Ref. | a°<br>Mis.<br>Ang.<br>Min. | Load Ratings lbs. |               |  | Approx.<br>Weight<br>lbs. |
|-------------------|-------------------------------|-------------------------------|------------------------------|------------------------------|--------------------------------|---------------------------|----------------------------|-------------------|---------------|--|---------------------------|
|                   |                               |                               |                              |                              |                                |                           |                            | Static Limit      |               | Dynamic<br>Oscillating<br>Radial<br>Load |                           |
|                   |                               |                               |                              |                              |                                |                           |                            | Radial<br>lbs.    | Axial<br>lbs. |  |                           |
| <b>BPFWSS-3T</b>  | .1900                         | .6250                         | .437                         | .327                         | .301                           | .531                      | 15                         | 2500              | 1770          | 4900                                     | .031                      |
| <b>BPFWSS-4T</b>  | .2500                         | .6875                         | .437                         | .317                         | .360                           | .593                      | 14                         | 5500              | 1640          | 6505                                     | .035                      |
| <b>BPFWSS-5T</b>  | .3125                         | .8125                         | .500                         | .406                         | .466                           | .687                      | 8                          | 9400              | 2630          | 8310                                     | .060                      |
| <b>BPFWSS-6T</b>  | .3750                         | .9375                         | .562                         | .442                         | .537                           | .781                      | 10                         | 13700             | 3650          | 11750                                    | .080                      |
| <b>BPFWSS-7T</b>  | .4375                         | 1.0000                        | .625                         | .505                         | .607                           | .875                      | 9                          | 20700             | 4970          | 14950                                    | .100                      |
| <b>BPFWSS-8T</b>  | .5000                         | 1.1250                        | .687                         | .536                         | .721                           | 1.000                     | 10                         | 21400             | 5370          | 18100                                    | .135                      |
| <b>BPFWSS-9T</b>  | .5625                         | 1.1875                        | .750                         | .567                         | .747                           | 1.062                     | 12                         | 26600             | 6130          | 20250                                    | .160                      |
| <b>BPFWSS-10T</b> | .6250                         | 1.3750                        | .875                         | .630                         | .845                           | 1.250                     | 13                         | 29000             | 7730          | 26200                                    | .240                      |
| <b>BPFWSS-12T</b> | .7500                         | 1.6250                        | .875                         | .755                         | .995                           | 1.375                     | 6                          | 37000             | 10800         | 33600                                    | .350                      |
| <b>BPFWSS-14T</b> | .8750                         | 2.1250                        | 1.375                        | 1.005                        | 1.269                          | 1.875                     | 12                         | 65200             | 19300         | 56250                                    | .970                      |
| <b>BPFWSS-16T</b> | 1.0000                        |                               |                              |                              |                                |                           |                            | 104000            |               |  |                           |

NOTE: Diameter B and D are concentric within .005 T.I.R.

#### NO LOAD BREAKAWAY TORQUE

| BORE DIAMETER  | TORQUE              |
|----------------|---------------------|
| .1900          | .5 to 5.0 lbs. in.  |
| .2500 to .7500 | 1.0 to 5.0 lbs. in. |
| .8750 & 1.0000 | 2.0 to 8.0 lbs. in. |