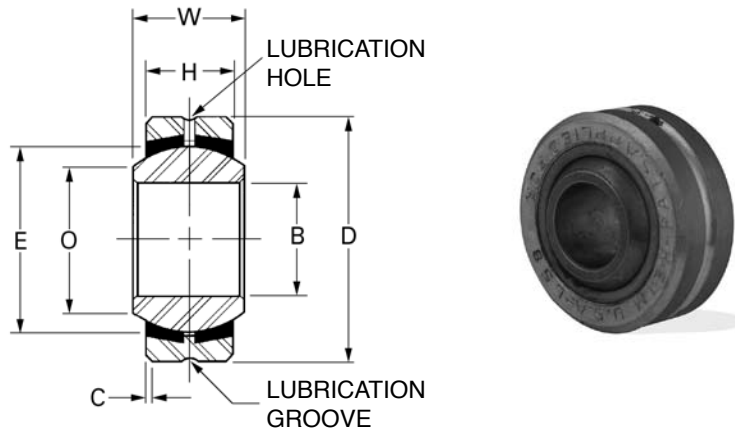


Four-Piece | Brass Insert PRECISION SPHERICAL BEARINGS

- Metal-to-Metal



Materials

OUTER RACE	BALL	INSERT
Carbon Steel, Coated For Corrosion Resistance	52100 Alloy Steel Heat-Treated	Brass

Catalog Number	B Bore +.0000 -.0005	D Outside Dia. +.0000 -.0005	W Ball Width +.000 -.005	H* Housing Width +.000 -.005	C Chamfer +.015 -.000	E Ball Diameter Ref.	O Ball Flat Diameter Ref.	Max. Static Radial Load lbs.	Approx. Weight lbs.
BPFLSX-030	.1900	.6250	.281	.187		.406	.293	2960	.02
BPFLSX-040	.2500	.7500	.375	.281	.016	.515	.354	5245	.04
BPFLSX-050	.3125	.8750	.437	.313		.625	.447	6550	.05
BPFLSX-060	.3750	1.0000	.500	.375	.016	.718	.517	8605	.08
BPFLSX-070	.4375	1.1875	.562	.437	.032	.812	.586	11100	.12
BPFLSX-080	.5000	1.3125	.687	.531	.044	.937	.637	15600	.18
BPFLSX-100	.6250	1.5625	.875	.687	.044	1.187	.802	25700	.33
BPFLSX-120	.7500	2.2500	1.250	.937	.044	1.625	1.038	47600	.97
BPFLSX-160	1.0000	2.3750	1.125	.875	.062	1.750	1.345	48200	.94
BPFLSX-190	1.1875	2.6250	1.250	1.000	.085	2.000	1.562	63000	1.27
BPFLSX-240	1.5000	3.2500	1.500	1.250	.085	2.500	2.000	98000	2.38
BPFLSX-300	1.8750	4.0000	1.625	1.313	.125	3.000	2.521	123500	3.75

*H tolerance across inserts is ± 0.015

See technical section for additional design options.