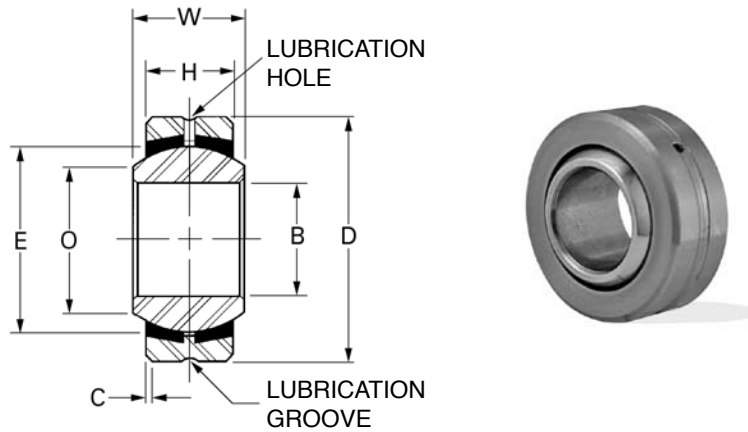


- Metal-to-Metal



Materials

OUTER RACE	BALL	INSERT
4130 or 4340 Alloy Steel Heat-Treated, Coated For Corrosion Resistance	52100 Alloy Steel Heat-Treated Chrome Plated	Copper Alloy

Catalog Number	B Bore +.0000 -.0005	D Outside Dia. +.0000 -.0005	W Ball Width +.000 -.005	H* Housing Width +.000 -.005	C Chamfer +.015 -.000	E Ball Diameter Ref.	O Ball Flat Diameter Ref.	Max. Static Radial Load lbs.	Approx. Weight lbs.
BPFLSS-020	.1650	.4687	.250	.187	.020	.343	.235	2000	.01
BPFLSS-030	.1900	.5625	.281	.218	.020	.406	.293	2750	.02
BPFLSS-040	.2500	.6562	.343	.250	.022	.500	.364	4200	.02
BPFLSS-050	.3125	.7500	.375	.281	.022	.562	.419	5800	.03
BPFLSS-060	.3750	.8125	.406	.312	.032	.625	.475	7150	.04
BPFLSS-070	.4375	.9062	.437	.343	.032	.687	.530	8625	.05
BPFLSS-080	.5000	1.0000	.500	.390		.781	.600	11200	.07
BPFLSS-090	.5625	1.0937	.562	.437	.032	.875	.670	14000	.09
BPFLSS-100	.6250	1.1875	.625	.500		.968	.739	17700	.12
BPFLSS-120	.7500	1.4375	.750	.593		1.187	.920	25750	.21
BPFLSS-140	.8750	1.5625	.875	.703	.044	1.312	.980	33600	.27
BPFLSS-160	1.0000	1.7500	1.000	.797		1.500	1.118	37520	.38

*H tolerance across inserts is ± 0.015

See technical section for additional design options.