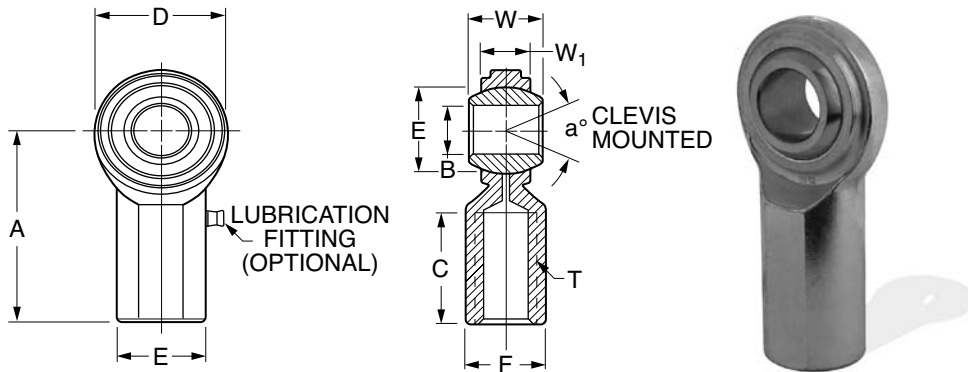


NEW

Commercial Rod Ends

TWO-PIECE-FEMALE SERIES

- Metal-to-Metal • Optional Lubricator



Materials

Ball	Body
52100 Steel	Low-Carbon Steel
HRC 56 min.	Zinc Plated
Hard Chrome Plated	Chromate Treated

RIGHT-HAND THREAD

Catalog Number	B Dia. +0.065 -0.012	D Dia. ±0.38	W Width ±0.12	W ₁ Width Ref.	E Ball Dia. Ref.	A Length ±0.40	T Thread	C Thread Length ±1.00	E Dia. ±0.25	F Flat ±0.25	a° Mis Angle Ref.	Ult. Static Radial Load N	Approx. Weight g
*BRRODFMCF3M	3	12.5	6	4.25	7.93	21	M3 X 0.5	10	8	7	23	5746	10
*BRRODFMCF5M	5	16	8	5.75	11.1	27	M5 X 0.8	14	11	9	22	8247	18
BRRODFMCF6M	6	19	9	6.25	12.7	30	M6 X 1	14	13	11	23	11895	25
BRRODFMCF8M	8	22.25	12	8	15.88	36	M8 X 1.25	17	16	14	28	15190	40
BRRODFMCF10M	10	27	14	9.5	19.05	43	M10 X 1.5	21	19	17	26	22750	80
BRRODFMCF12M	12	30	16	10.75	22.23	50	M12 X 1.75	24	22	19	27	25819	95
BRRODFMCF14M	14	34.75	19	12.25	25.4	57	M14 X 2	27	25	22	30	35214	160
BRRODFMCF16M	16	38	21	12.75	28.58	64	M16 X 2	33	27	22	33	37391	215
BRRODFMCF18M	18	42	23	14.75	31.75	71	M18 X 1.5	36	25.58	25.4	30	47903	300
BRRODFMCF20M	20	46	25	16.25	34.93	77	M20 X 1.5	40	30.15	27	29	57101	350

LEFT-HAND THREAD

Catalog Number	B Dia. +0.065 -0.012	D Dia. ±0.38	W Width ±0.12	W ₁ Width Ref.	E Ball Dia. Ref.	A Length ±0.40	T Thread	C Thread Length ±1.00	E Dia. ±0.25	F Flat ±0.25	a° Mis Angle Ref.	Ult. Static Radial Load N	Approx. Weight g
*BRRODFMCFL3M	3	12.5	6	4.25	7.93	21	M3 X 0.5	10	8	7	23	5746	10
*BRRODFMCFL5M	5	16	8	5.75	11.1	27	M5 X 0.8	14	11	9	22	8247	18
BRRODFMCFL6M	6	19	9	6.25	12.7	30	M6 X 1	14	13	11	23	11895	25
BRRODFMCFL8M	8	22.25	12	8	15.88	36	M8 X 1.25	17	16	14	28	15190	40
BRRODFMCFL10M	10	27	14	9.5	19.05	43	M10 X 1.5	21	19	17	26	22750	80
BRRODFMCFL12M	12	30	16	10.75	22.23	50	M12 X 1.75	24	22	19	27	25819	95
BRRODFMCFL14M	14	34.75	19	12.25	25.4	57	M14 X 2	27	25	22	30	35214	160
BRRODFMCFL16M	16	38	21	12.75	28.58	64	M16 X 2	33	27	22	33	37391	215
BRRODFMCFL18M	18	42	23	14.75	31.75	71	M18 X 1.5	36	25.58	25.4	30	47903	300
BRRODFMCFL20M	20	46	25	16.25	34.93	77	M20 X 1.5	40	30.15	27	29	57101	350

NOTE: For grease fittings, add "G" to the end of the catalog number. Example: **BRRODFMCFL10MG**

*Grease fittings are not supplied on these sizes.