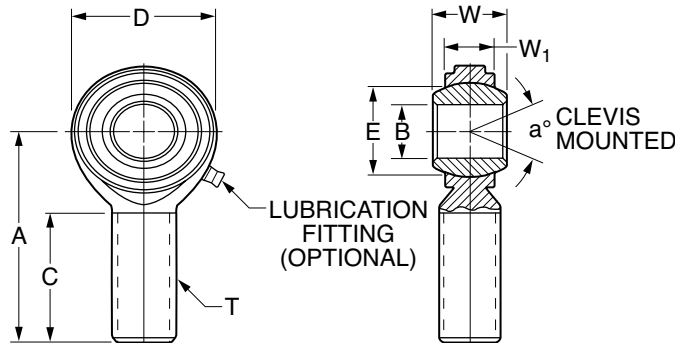


NEW

Commercial Rod Ends

TWO-PIECE-MALE SERIES

• Metal-to-Metal • Optional Lubricator



Materials

Ball	Body
52100 Steel HRC 56 min. Hard Chrome Plated	Low-Carbon Steel Zinc Plated Chromate Treated

RIGHT-HAND THREAD

Catalog Number	B Dia. +0.065 -0.012	D Dia. ±0.38	W Width ±0.12	W ₁ Width Ref.	E Ball Dia. Ref.	A Length ±0.40	T Thread	C Thread Length ±1.00	a° Mis Angle Ref.	Ult. Static Radial Load N	Approx. Weight g
*BRRODMMCM3M	3	12.5	6	4.25	7.93	27	M3 X 0.5	15	23	1775	7
*BRRODMMCM5M	5	16	8	5.75	11.1	33	M5 X 0.8	20	22	5168	12
*BRRODMMCM6M	6	19	9	6.25	12.7	36	M6 X 1	22	23	7296	18
*BRRODMMCM8M	8	22.25	12	8	15.88	42	M8 X 1.25	25	28	13591	31
BRRODMMCM10M	10	27	14	9.5	19.05	48	M10 X 1.5	29	26	21024	68
BRRODMMCM12M	12	30	16	10.75	22.23	54	M12 X 1.75	33	27	25819	78
BRRODMMCM14M	14	34.75	19	12.25	25.4	60	M14 X 2	36	30	35214	118
BRRODMMCM16M	16	38	21	12.75	28.58	66	M16 X 2	40	33	37391	173
BRRODMMCM18M	18	42	23	14.75	31.75	72	M18 X 1.5	44	30	47903	260
BRRODMMCM20M	20	46	25	16.25	34.93	78	M20 X 1.5	47	29	57101	290

LEFT-HAND THREAD

Catalog Number	B Dia. +0.065 -0.012	D Dia. ±0.38	W Width ±0.12	W ₁ Width Ref.	E Ball Dia. Ref.	A Length ±0.40	T Thread	C Thread Length ±1.00	a° Mis Angle Ref.	Ult. Static Radial Load N	Approx. Weight g
*BRRODMMCML3M	3	12.5	6	4.25	7.93	27	M3 X 0.5	15	23	1775	7
*BRRODMMCML5M	5	16	8	5.75	11.1	33	M5 X 0.8	20	22	5168	12
*BRRODMMCML6M	6	19	9	6.25	12.7	36	M6 X 1	22	23	7296	18
*BRRODMMCML8M	8	22.25	12	8	15.88	42	M8 X 1.25	25	28	13591	31
BRRODMMCML10M	10	27	14	9.5	19.05	48	M10 X 1.5	29	26	21024	68
BRRODMMCML12M	12	30	16	10.75	22.23	54	M12 X 1.75	33	27	25819	78
BRRODMMCML14M	14	34.75	19	12.25	25.4	60	M14 X 2	36	30	35214	118
BRRODMMCML16M	16	38	21	12.75	28.58	66	M16 X 2	40	33	37391	173
BRRODMMCML18M	18	42	23	14.75	31.75	72	M18 X 1.5	44	30	47903	260
BRRODMMCML20M	20	46	25	16.25	34.93	78	M20 X 1.5	47	29	57101	290

NOTE: For grease fittings, add "G" to the end of the catalog number. Example: **BRRODMMCM18MG**

*Grease fittings are not supplied on these sizes. Load ratings based on no lubrication fitting.