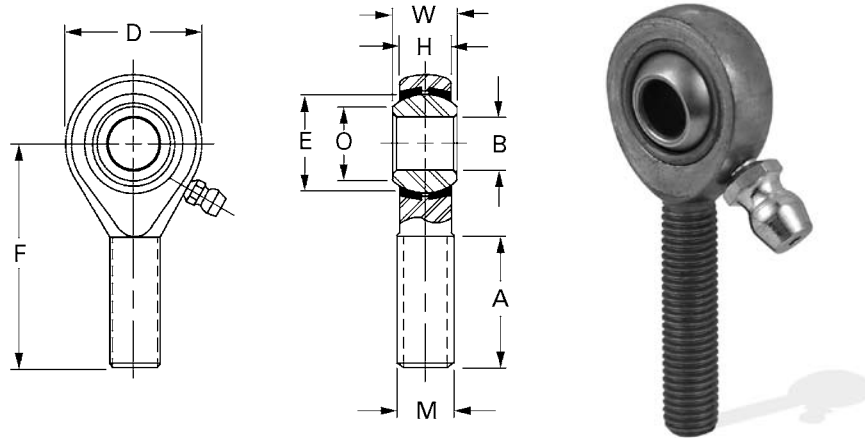




Precision Rod Ends Extra Capacity FOUR-PIECE-MALE SERIES

- Metal-to-Metal • Magnetic Particle Inspected • Grease Lubricator



Materials

BALL	BODY	INSERT
52100 Alloy Steel Heat-Treated Hard Chrome Plated	4130 Or 4340 Alloy Steel Heat-Treated, Coated for Corrosion Resistance	Copper Alloy

RIGHT-HAND THREAD

Catalog Number	B Bore +.0015 -.0005	W Ball Width +.000 -.005	H Housing Width ±.005	D Head Diameter ±.010	F Length to Center of Ball ±.010	A Thread Length +.062 -.031	M Thread Size UNF-3A	E Ball Diameter Ref.	O Ball Flat Dia. Ref.	Max. Static Radial Load lbs.	Approx. Weight lbs.
BRFHMX-040G	.2500	.375	.281	.750	1.562	1.000	.3125-24	.515	.353	3260	.06
BRFHMX-050G	.3125	.437	.344	.875	1.875	1.250	.3750-24	.625	.447	4920	.09
BRFHMX-060G	.3750	.500	.406	1.000	1.938	1.250	.4375-20	.718	.516	7240	.13
BRFHMX-070G	.4375	.562	.437	1.125	2.125	1.375	.5000-20	.812	.586	7620	.18
BRFHMX-080G	.5000	.625	.500	1.312	2.438	1.500	.6250-18	.937	.698	11920	.30
BRFHMX-100G	.6250	.750	.562	1.500	2.625	1.625	.7500-16	1.125	.839	13940	.46
BRFHMX-120G	.7500	.875	.687	1.750	2.875	1.750	.8750-14	1.312	.978	21570	.72

LEFT-HAND THREAD

Catalog Number	B Bore +.0015 -.0005	W Ball Width +.000 -.005	H Housing Width ±.005	D Head Diameter ±.010	F Length to Center of Ball ±.010	A Thread Length +.062 -.031	M Thread Size UNF-3A	E Ball Diameter Ref.	O Ball Flat Dia. Ref.	Max. Static Radial Load lbs.	Approx. Weight lbs.
BRFHMX-040LG	.2500	.375	.281	.750	1.562	1.000	.3125-24	.515	.353	3260	.06
BRFHMX-050LG	.3125	.437	.344	.875	1.875	1.250	.3750-24	.625	.447	4920	.09
BRFHMX-060LG	.3750	.500	.406	1.000	1.938	1.250	.4375-20	.718	.516	7240	.13
BRFHMX-070LG	.4375	.562	.437	1.125	2.125	1.375	.5000-20	.812	.586	7620	.18
BRFHMX-080LG	.5000	.625	.500	1.312	2.438	1.500	.6250-18	.937	.698	11920	.30
BRFHMX-100LG	.6250	.750	.562	1.500	2.625	1.625	.7500-16	1.125	.839	13940	.46
BRFHMX-120LG	.7500	.875	.687	1.750	2.875	1.750	.8750-14	1.312	.978	21570	.72

NOTE: To order part without grease lubricator, remove "G" from end of part number.