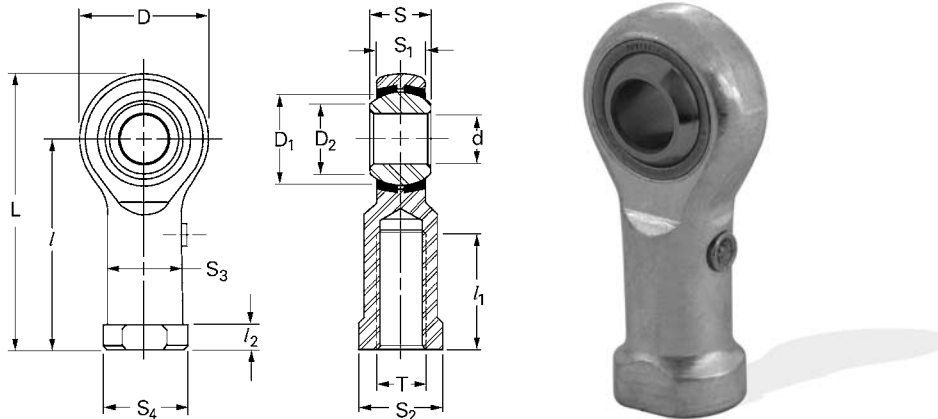


Precision Rod Ends

FOUR-PIECE-FEMALE SERIES

- Metal-to-Metal



Materials

BALL	BODY	INSERT
Chrome Steel Heat-Treated	Carbon Steel Coated for Corrosion Resistance	Brass

RIGHT-HAND THREAD

Catalog Number	d Bore H7	S Ball Width ±0.127	S ₁ Housing Width ±0.254	D Head Dia. ±0.787	l Length to Center of Ball ±0.787	L Overall Length ±0.787	l ₁ Thread Length ±1.575	T Thread Size
*BRFSFGM050□	5	8	6	16	27	35	14	M5 X 0.8
*BRFSFGM060□	6	9	6.75	18	30	39	14	M6 X 1
*BRFSFGM080□	8	12	9	22	36	47	17	M8 X 1.25
BRFSFGM100□	10	14	10.5	26	43	56	20	M10 X 1.5
BRFSFGM120□	12	16	12	30	50	65	22	M12 X 1.75
BRFSFGM140□	14	19	13.5	34	57	74	27	M14 X 2
BRFSFGM160□	16	21	15	38	64	83	33	M16 X 2
BRFSFGM200□	20	25	18	46	77	100	40	M20 X 1.5
BRFSFGM250□	25	31	22	56	94	122	48	M24 X 2

Catalog Number	D ₁ Ball Dia. Ref.	D ₂ Ball Flat Dia. Ref.	S ₂ Across Wrench Flats ±0.254	S ₃ ±0.254	S ₄ ±0.254	l ₂ ±0.254	Max. Static Radial Load N	Approx. Weight g
*BRFSFGM050□	11.11	7.71	8	7.5	9.5	4	5600	14
*BRFSFGM060□	12.7	8.96	10	9.5	12	5	6900	22
*BRFSFGM080□	15.88	10.4	13	12.5	16	5	9800	38
BRFSFGM100□	19.05	12.92	16	15	19	6.5	13200	70
BRFSFGM120□	22.23	15.43	18	17.5	22	6.5	16700	110
BRFSFGM140□	25.4	16.86	21	20	25	8	20600	150
BRFSFGM160□	28.58	19.39	24	22	27	8	25000	200
BRFSFGM200□	34.92	24.38	30	27.5	34	10	34300	370
BRFSFGM250□	42.85	29.6	36	33.5	42	12	50000	670

L Left-Hand Thread

Leave blank for Right-Hand Thread

NOTE: For grease fittings, add letter "G" to the end of catalog number. Example: **BRFSFGM100G**

*Grease fittings are not supplied on these sizes.