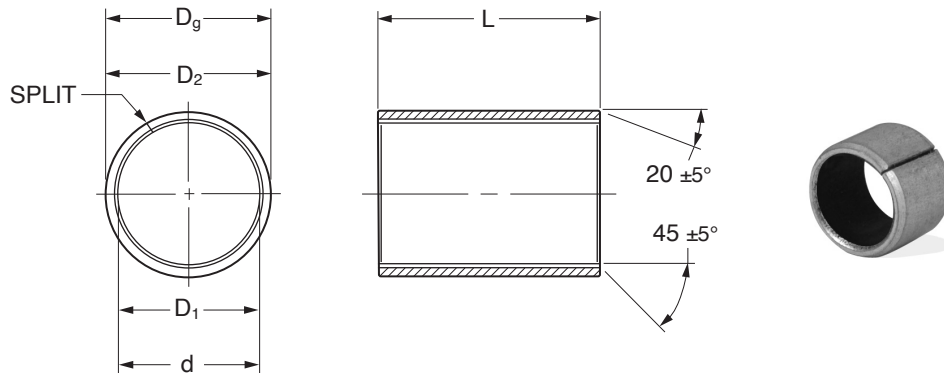


NEW**Self-Lubricating / Split-Type
PLAIN SLEEVE BEARINGS**

- Carbon Steel Backing • Self-Lubricated Liner • Maintenance-Free



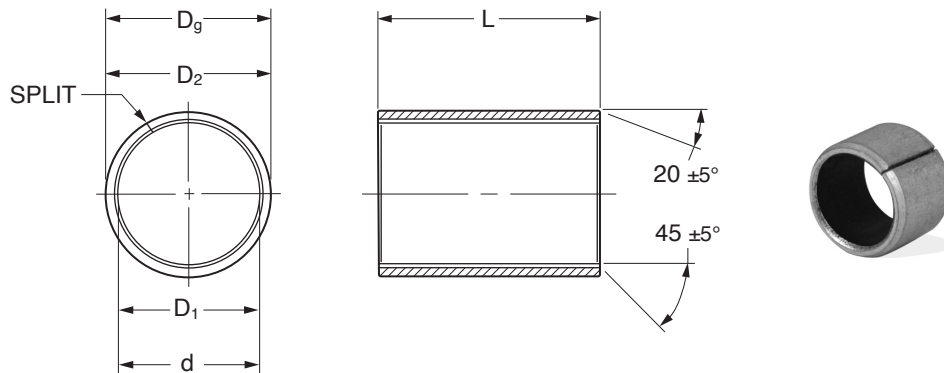
Catalog Number	D ₁	D ₂	L Length ±.010	d Shaft Dia.	D _g Housing Bore	D ₁ E Installed I.D.
BSNPLN-02TH02	.1250	.1875	.1250	.1243	.1878	.1268
BSNPLN-02TH03			.1875	.1236	.1873	.1243
BSNPLN-025TH025	.1563	.2188	.1563	.1554	.2191	.1581
BSNPLN-025TH04			.2500	.1547	.2186	.1556
BSNPLN-03TH03	.1875	.2500	.1875	.1865	.2503	.1893
BSNPLN-03TH04			.2500	.1858	.2497	.1867
BSNPLN-03TH06			.3750			
BSNPLN-04TH04	.2500	.3125	.2500	.2490	.3128	.2518
BSNPLN-04TH06			.3750	.2481	.3122	.2492
BSNPLN-05TH06	.3125	.3750	.3750	.3115	.3753	.3143
BSNPLN-05TH08			.5000	.3106	.3747	.3117
BSNPLN-06TH03			.1875			
BSNPLN-06TH04			.2500			
BSNPLN-06TH06	.3750	.4688	.3750	.3740	.4691	.3769
BSNPLN-06TH08			.5000	.3731	.4684	.3742
BSNPLN-06TH10			.6250			
BSNPLN-06TH12			.7500			
BSNPLN-07TH08	.4375	.5313	.5000	.4365	.5316	.4394
BSNPLN-07TH12			.7500	.4355	.5309	.4367
BSNPLN-08TH04			.2500			
BSNPLN-08TH06			.3750			
BSNPLN-08TH08	.5000	.5938	.5000	.4990	.5941	.5019
BSNPLN-08TH10			.6250	.4980	.5934	.4992
BSNPLN-08TH12			.7500			
BSNPLN-08TH14			.8750			
BSNPLN-09TH06			.3750			
BSNPLN-09TH08	.5625	.6563	.5000	.5615	.6566	.5644
BSNPLN-09TH10			.6250	.5605	.6559	.5617
BSNPLN-09TH12			.7500			
BSNPLN-10TH04	.6250	.7188	.2500	.6240	.7192	.6270
BSNPLN-10TH08			.5000	.6230	.7184	.6242
BSNPLN-10TH10			.6250			

NOTE: A composite liner consists of a carbon steel backing, an intermediate layer of sintered bronze and PTFE.

Continued on the next page

NEW**Self-Lubricating / Split-Type
PLAIN SLEEVE BEARINGS**

- Carbon Steel Backing • Self-Lubricated Liner • Maintenance-Free



Catalog Number	D ₁	D ₂	L Length ±.010	d Shaft Dia.	D _g Housing Bore	D ₁ E Installed I.D.
BSNPLN-10TH12	.6250	.7188	.7500	.6240	.7192	.6270
BSNPLN-10TH14			.8750	.6230	.7184	.6242
BSNPLN-10TH16			1.0000			
BSNPLN-11TH14	.6875	.7813	.8750	.6865 .6855	.7817 .7809	.6895 .6867
BSNPLN-12TH04	.7500	.8750	.2500	.7491	.8755	.7525
BSNPLN-12TH06			.3750			
BSNPLN-12TH08			.5000	.7479	.8747	.7493
BSNPLN-12TH10			.6250			
BSNPLN-12TH12			.7500			
BSNPLN-12TH16			1.0000			
BSNPLN-13TH12	.8125	.9375	.7500	.8116	.9380	.8150
BSNPLN-13TH18			1.1250	.8104	.9372	.8118
BSNPLN-14TH04	.8750	1.0000	.2500	.8741	1.0005	.8775
BSNPLN-14TH06			.3750			
BSNPLN-14TH12			.7500	.8729	.9997	.8743
BSNPLN-14TH14			.8750			
BSNPLN-14TH16			1.0000			
BSNPLN-14TH20			1.2500			
BSNPLN-16TH06	1.0000	1.1250	.3750	.9991	1.1256	1.0026
BSNPLN-16TH08			.5000			
BSNPLN-16TH12			.7500	.9979	1.1246	.9992
BSNPLN-16TH16			1.0000			
BSNPLN-16TH20			1.2500			
BSNPLN-16TH24			1.5000			
BSNPLN-18TH06	1.1250	1.2813	.3750	1.1238	1.2818	1.1278
BSNPLN-18TH10			.6250	1.1226	1.2808	1.1240
BSNPLN-18TH12			.7500			
BSNPLN-18TH16			1.0000			
BSNPLN-20TH06	1.2500	1.4063	.3750	1.2488	1.4068	1.2528
BSNPLN-20TH12			.7500	1.2472	1.4058	1.2490
BSNPLN-20TH14			.8750			

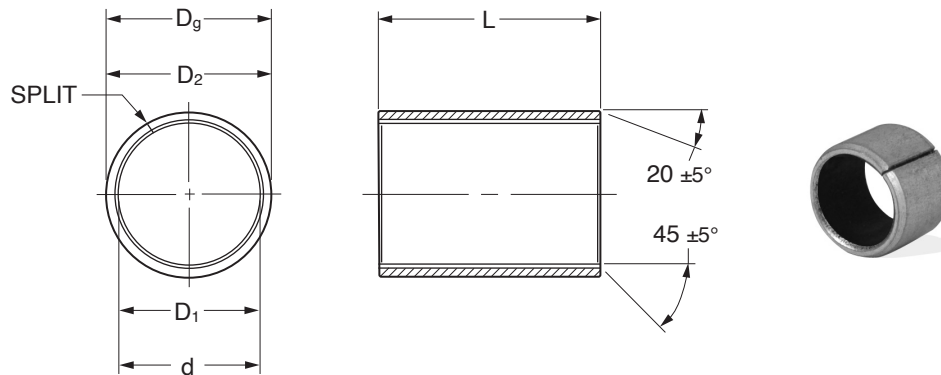
NOTE: A composite liner consists of a carbon steel backing, an intermediate layer of sintered bronze and PTFE.

Continued on the next page

NEW

Self-Lubricating / Split-Type PLAIN SLEEVE BEARINGS

- Carbon Steel Backing • Self-Lubricated Liner • Maintenance-Free



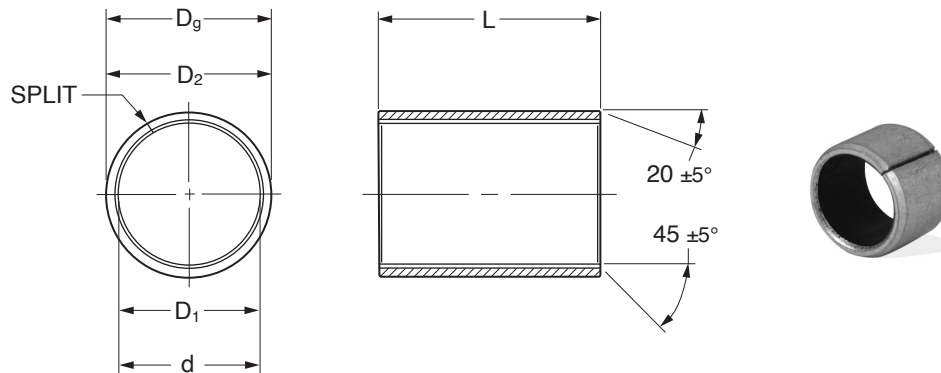
Catalog Number	D ₁	D ₂	L Length ±.010	d Shaft Dia.	D _g Housing Bore	D ₁ E Installed I.D.			
BSNPLN-20TH16	1.2500	1.4063	1.0000	1.2488	1.4068	1.2528			
BSNPLN-20TH20			1.2500	1.2472	1.4058	1.2490			
BSNPLN-20TH28			1.7500						
BSNPLN-22TH12	1.3750	1.5313	.7500	1.3738	1.5318	1.3778			
BSNPLN-22TH16			1.0000						
BSNPLN-22TH22			1.3750				1.3722	1.5308	1.3740
BSNPLN-22TH24			1.5000						
BSNPLN-22TH28			1.7500						
BSNPLN-24TH08	1.5000	1.6563	.5000	1.4988	1.6568	1.5028			
BSNPLN-24TH16			1.0000						
BSNPLN-24TH18			1.1250				1.4972	1.6558	1.4990
BSNPLN-24TH20			1.2500						
BSNPLN-24TH24			1.5000						
BSNPLN-24TH32	2.0000								
BSNPLN-26TH16	1.6250	1.7813	1.0000	1.6238	1.7818	1.6278			
BSNPLN-26TH24			1.5000	1.6222	1.7808	1.6240			
BSNPLN-28TH16	1.7500	1.9375	1.0000	1.7487	1.9381	1.7535			
BSNPLN-28TH24			1.5000						
BSNPLN-28TH28			1.7500				1.7471	1.9371	1.7489
BSNPLN-28TH32			2.0000						
BSNPLN-30TH12	1.8750	2.0625	.7500	1.8737	2.0633	1.8787			
BSNPLN-30TH16			1.0000						
BSNPLN-30TH30			1.8750				1.8721	2.0621	1.8739
BSNPLN-30TH36			2.2500						
BSNPLN-32TH08	2.0000	2.1875	.5000	1.9987	2.1883	2.0037			
BSNPLN-32TH16			1.0000	1.9969	2.1871	1.9989			
BSNPLN-32TH24			1.5000						

NOTE: A composite liner consists of a carbon steel backing, an intermediate layer of sintered bronze and PTFE.

Continued on the next page

NEW**Self-Lubricating / Split-Type
PLAIN SLEEVE BEARINGS**

• Carbon Steel Backing • Self-Lubricated Liner • Maintenance-Free



Catalog Number	D ₁	D ₂	L Length ±.010	d Shaft Dia.	D _g Housing Bore	D ₁ E Installed I.D.
BSNPLN-32TH28	2.0000	2.1875	1.7500	1.9987	2.1883	2.0037
BSNPLN-32TH32			2.0000	1.9969	2.1871	1.9989
BSNPLN-32TH40			2.5000			
BSNPLN-34TH48	2.1250	2.3125	3.0000	2.1257 2.1239	2.3127 2.3115	2.1323 2.1259
BSNPLN-36TH28	2.2500	2.4375	1.7500	2.2507 2.2489	2.4377 2.4365	2.2573 2.2509
BSNPLN-36TH32			2.0000			
BSNPLN-36TH36			2.2500			
BSNPLN-36TH40			2.5000			
BSNPLN-36TH48			3.0000			
BSNPLN-36TH56			3.5000			
BSNPLN-36TH60			3.7500			
BSNPLN-36TH64			4.0000			
BSNPLN-36TH72	4.5000					
BSNPLN-40TH16	2.5000	2.6875	1.0000	2.5011 2.4993	2.6881 2.6869	2.5077 2.5013
BSNPLN-40TH26			1.6250			
BSNPLN-40TH32			2.0000			
BSNPLN-40TH40			2.5000			
BSNPLN-40TH48			3.0000			
BSNPLN-40TH56			3.5000			
BSNPLN-40TH60			3.7500			
BSNPLN-40TH64			4.0000			
BSNPLN-40TH72			4.5000			
BSNPLN-40TH76			4.7500			
BSNPLN-44TH32	2.7500	2.9375	2.0000	2.7500 2.7482	2.9370 2.9358	2.7566 2.7502
BSNPLN-44TH36			2.2500			
BSNPLN-44TH40			2.5000			
BSNPLN-44TH48			3.0000			

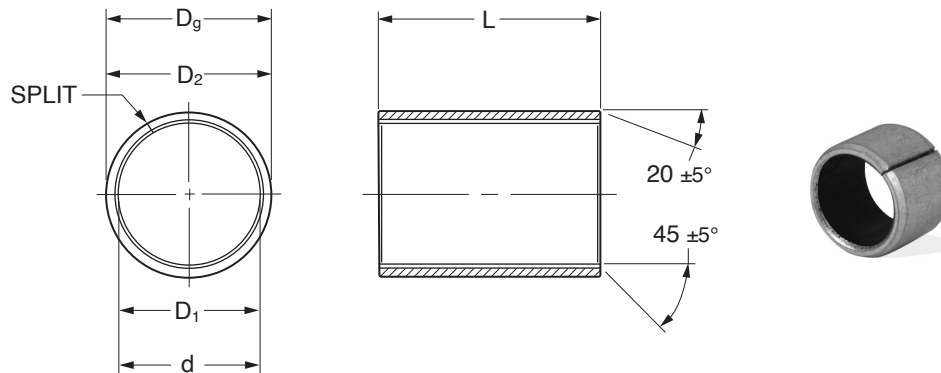
NOTE: A composite liner consists of a carbon steel backing, an intermediate layer of sintered bronze and PTFE.

Continued on the next page

NEW

Self-Lubricating / Split-Type PLAIN SLEEVE BEARINGS

- Carbon Steel Backing • Self-Lubricated Liner • Maintenance-Free



Catalog Number	D ₁	D ₂	L Length ±.010	d Shaft Dia.	D _g Housing Bore	D _{1E} Installed I.D.
BSNPLN-44TH56	2.7500	2.9375	3.5000	2.7500	2.9370	2.7566
BSNPLN-44TH60			3.7500			
BSNPLN-44TH64			4.0000			
BSNPLN-44TH72			4.5000			
BSNPLN-44TH76			4.7500			
BSNPLN-44TH80			5.0000	2.7482	2.9358	2.7502
BSNPLN-46TH32	2.8750	3.0625	2.0000	2.8752	3.0623	2.8819
BSNPLN-46TH36			2.2500			
BSNPLN-46TH40			2.5000			
BSNPLN-46TH48			3.0000			
BSNPLN-46TH56			3.5000			
BSNPLN-46TH60			3.7500			
BSNPLN-46TH64			4.0000			
BSNPLN-46TH72			4.5000			
BSNPLN-46TH76			4.7500			
BSNPLN-46TH80			5.0000			
BSNPLN-48TH32	3.0000	3.1875	2.0000	3.0000	3.1872	3.0068
BSNPLN-48TH36			2.2500			
BSNPLN-48TH40			2.5000			
BSNPLN-48TH48			3.0000			
BSNPLN-48TH56			3.5000			
BSNPLN-48TH60			3.7500			
BSNPLN-48TH64			4.0000			
BSNPLN-48TH72			4.5000			
BSNPLN-48TH76			4.7500			
BSNPLN-48TH80			5.0000			

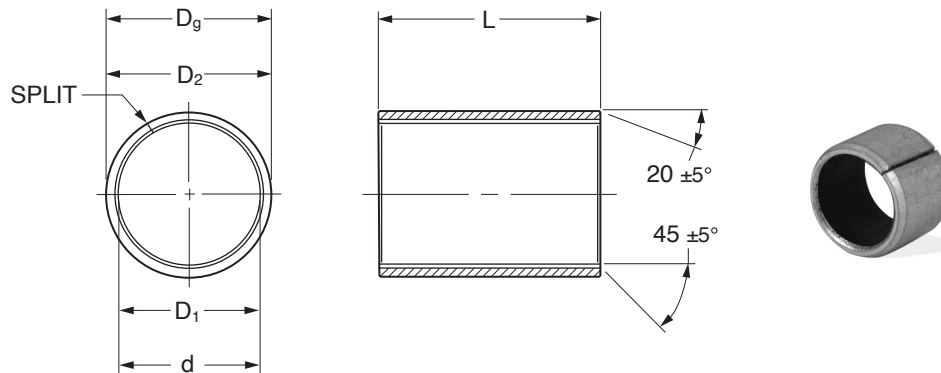
NOTE: A composite liner consists of a carbon steel backing, an intermediate layer of sintered bronze and PTFE.

Continued on the next page

NEW

Self-Lubricating / Split-Type PLAIN SLEEVE BEARINGS

• Carbon Steel Backing • Self-Lubricated Liner • Maintenance-Free



Catalog Number	D ₁	D ₂	L Length ±.010	d Shaft Dia.	D _g Housing Bore	D _{1E} Installed I.D.
BSNPLN-52TH32	3.2500	3.4375	2.0000	3.2500	3.4372	3.2568
BSNPLN-52TH38			2.3750			
BSNPLN-52TH40			2.5000			
BSNPLN-52TH48			3.0000			
BSNPLN-52TH56			3.5000			
BSNPLN-52TH60			3.7500			
BSNPLN-52TH64			4.0000			
BSNPLN-52TH72			4.5000			
BSNPLN-52TH76			4.7500			
BSNPLN-52TH80			5.0000			
BSNPLN-56TH32	3.5000	3.6875	2.0000	3.5000	3.6872	3.5068
BSNPLN-56TH38			2.3750			
BSNPLN-56TH40			2.5000			
BSNPLN-56TH48			3.0000			
BSNPLN-56TH56			3.5000			
BSNPLN-56TH60			3.7500			
BSNPLN-56TH64			4.0000			
BSNPLN-56TH72			4.5000			
BSNPLN-56TH76			4.7500			
BSNPLN-56TH80			5.0000			
BSNPLN-58TH32	3.6250	3.8125	2.0000	3.6250	3.8122	3.6318
BSNPLN-58TH36			2.2500			
BSNPLN-58TH40			2.5000			
BSNPLN-58TH48			3.0000			
BSNPLN-58TH56			3.5000			
BSNPLN-58TH60			3.7500			
BSNPLN-58TH64			4.0000			

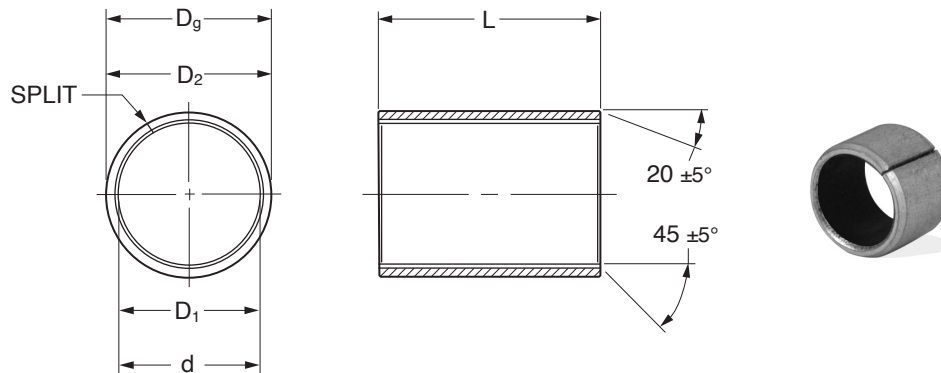
NOTE: A composite liner consists of a carbon steel backing, an intermediate layer of sintered bronze and PTFE.

Continued on the next page

NEW

Self-Lubricating / Split-Type PLAIN SLEEVE BEARINGS

- Carbon Steel Backing • Self-Lubricated Liner • Maintenance-Free



Catalog Number	D ₁	D ₂	L Length ±.010	d Shaft Dia.	D _g Housing Bore	D _{1E} Installed I.D.
BSNPLN-58TH72	3.6250	3.8125	4.5000	3.6250	3.8122	3.6318
BSNPLN-58TH76			4.7500			
BSNPLN-58TH80			5.0000			
BSNPLN-60TH32	3.7500	3.9375	2.0000	3.7500	3.9372	3.7568
BSNPLN-60TH36			2.2500			
BSNPLN-60TH40			2.5000			
BSNPLN-60TH48			3.0000			
BSNPLN-60TH56			3.5000			
BSNPLN-60TH60			3.7500			
BSNPLN-60TH64			4.0000			
BSNPLN-60TH72			4.5000			
BSNPLN-60TH76			4.7500			
BSNPLN-60TH80			5.0000			
BSNPLN-64TH32	4.0000	4.1875	2.0000	4.0000	4.1872	4.0068
BSNPLN-64TH36			2.2500			
BSNPLN-64TH40			2.5000			
BSNPLN-64TH48			3.0000			
BSNPLN-64TH56			3.5000			
BSNPLN-64TH60			3.7500			
BSNPLN-64TH64			4.0000			
BSNPLN-64TH72			4.5000			
BSNPLN-64TH76			4.7500			
BSNPLN-64TH80			5.0000			
BSNPLN-68TH32	4.2500	4.4375	2.0000	4.2500	4.4372	4.2568
BSNPLN-68TH36			2.2500			
BSNPLN-68TH40			2.5000			
BSNPLN-68TH48			3.0000			

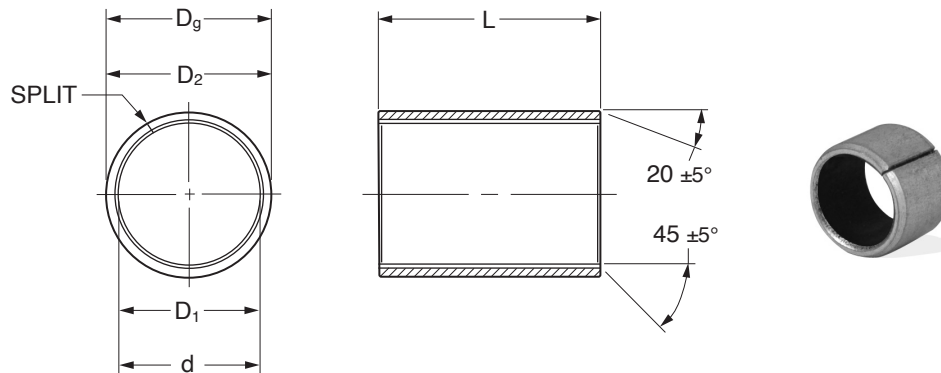
NOTE: A composite liner consists of a carbon steel backing, an intermediate layer of sintered bronze and PTFE.

Continued on the next page

NEW

Self-Lubricating / Split-Type PLAIN SLEEVE BEARINGS

- Carbon Steel Backing • Self-Lubricated Liner • Maintenance-Free



Catalog Number	D ₁	D ₂	L Length ±.010	d Shaft Dia.	D _g Housing Bore	D ₁ E Installed I.D.
BSNPLN-68TH56	4.2500	4.4375	3.5000	4.2500	4.4372	4.2568
BSNPLN-68TH60			3.7500			
BSNPLN-68TH64			4.0000			
BSNPLN-68TH72			4.5000			
BSNPLN-68TH76			4.7500			
BSNPLN-68TH80			5.0000			
BSNPLN-70TH32	4.3750	4.5625	2.0000	4.3750	4.5622	4.3818
BSNPLN-70TH36			2.2500			
BSNPLN-70TH40			2.5000			
BSNPLN-70TH48			3.0000			
BSNPLN-70TH56			3.5000			
BSNPLN-70TH60			3.7500			
BSNPLN-70TH64			4.0000			
BSNPLN-70TH72			4.5000			
BSNPLN-70TH76			4.7500			
BSNPLN-70TH80			5.0000			
BSNPLN-72TH32	4.5000	4.6875	2.0000	4.5000	4.6872	4.5068
BSNPLN-72TH36			2.2500			
BSNPLN-72TH40			2.5000			
BSNPLN-72TH48			3.0000			
BSNPLN-72TH56			3.5000			
BSNPLN-72TH60			3.7500			
BSNPLN-72TH64			4.0000			
BSNPLN-72TH72			4.5000			
BSNPLN-72TH76			4.7500			
BSNPLN-72TH80			5.0000			

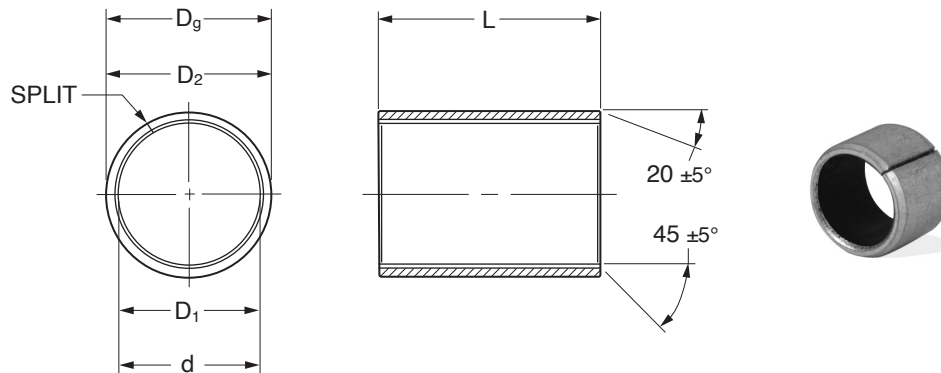
NOTE: A composite liner consists of a carbon steel backing, an intermediate layer of sintered bronze and PTFE.

Continued on the next page

NEW

Self-Lubricating / Split-Type PLAIN SLEEVE BEARINGS

- Carbon Steel Backing • Self-Lubricated Liner • Maintenance-Free



Catalog Number	D ₁	D ₂	L Length ±.010	d Shaft Dia.	D _g Housing Bore	D _{1E} Installed I.D.
BSNPLN-76TH32	4.7500	4.9375	2.0000	4.7500	4.9374	4.7570
BSNPLN-76TH36			2.2500			
BSNPLN-76TH40			2.5000			
BSNPLN-76TH48			3.0000			
BSNPLN-76TH56			3.5000			
BSNPLN-76TH60			3.7500			
BSNPLN-76TH64			4.0000			
BSNPLN-76TH72			4.5000			
BSNPLN-76TH76			4.7500			
BSNPLN-76TH80			5.0000			
BSNPLN-80TH32	5.0000	5.1875	2.0000	4.9986	5.1860	5.0056
BSNPLN-80TH36			2.2500			
BSNPLN-80TH40			2.5000			
BSNPLN-80TH48			3.0000			
BSNPLN-80TH56			3.5000			
BSNPLN-80TH60			3.7500			
BSNPLN-80TH64			4.0000			
BSNPLN-80TH72			4.5000			
BSNPLN-80TH76			4.7500			
BSNPLN-80TH80			5.0000			
BSNPLN-84TH32	5.2500	5.4375	2.0000	5.2500	5.4374	5.2570
BSNPLN-84TH36			2.2500			
BSNPLN-84TH40			2.5000			
BSNPLN-84TH48			3.0000			
BSNPLN-84TH56			3.5000			
BSNPLN-84TH60			3.7500			
BSNPLN-84TH64			4.0000			
			5.2475			

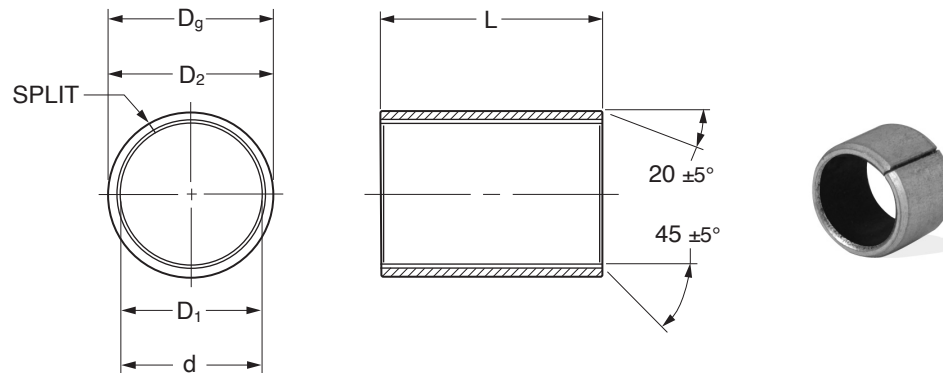
NOTE: A composite liner consists of a carbon steel backing, an intermediate layer of sintered bronze and PTFE.

Continued on the next page

NEW

Self-Lubricating / Split-Type PLAIN SLEEVE BEARINGS

• Carbon Steel Backing • Self-Lubricated Liner • Maintenance-Free



Catalog Number	D ₁	D ₂	L Length ±.010	d Shaft Dia.	D _g Housing Bore	D _{1E} Installed I.D.
BSNPLN-84TH72	5.2500	5.4375	4.5000	5.2500	5.4374	5.2570
BSNPLN-84TH76			4.7500			
BSNPLN-84TH80			5.0000			
BSNPLN-88TH32	5.5000	5.6875	2.0000	5.5000	5.6874	5.5070
BSNPLN-88TH36			2.2500			
BSNPLN-88TH40			2.5000			
BSNPLN-88TH48			3.0000			
BSNPLN-88TH56			3.5000			
BSNPLN-88TH60			3.7500			
BSNPLN-88TH64			4.0000			
BSNPLN-88TH72			4.5000			
BSNPLN-88TH76			4.7500			
BSNPLN-88TH80			5.0000			
BSNPLN-92TH32	5.7500	5.9375	2.0000	5.7500	5.9374	5.7570
BSNPLN-92TH36			2.2500			
BSNPLN-92TH40			2.5000			
BSNPLN-92TH48			3.0000			
BSNPLN-92TH56			3.5000			
BSNPLN-92TH60			3.7500			
BSNPLN-92TH64			4.0000			
BSNPLN-92TH72			4.5000			
BSNPLN-92TH76			4.7500			
BSNPLN-92TH80			5.0000			
BSNPLN-96TH32	6.0000	6.1875	2.0000	6.0000	6.1874	6.0070
BSNPLN-96TH36			2.2500			
BSNPLN-96TH40			2.5000			
BSNPLN-96TH48			3.0000			

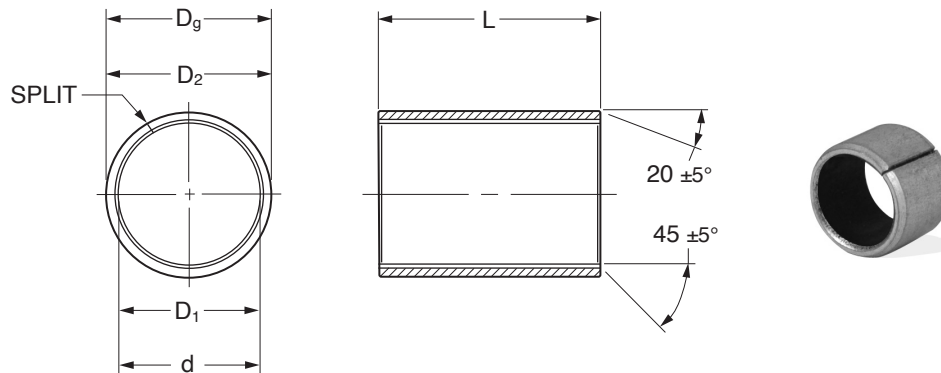
NOTE: A composite liner consists of a carbon steel backing, an intermediate layer of sintered bronze and PTFE.

Continued on the next page

NEW

Self-Lubricating / Split-Type PLAIN SLEEVE BEARINGS

- Carbon Steel Backing • Self-Lubricated Liner • Maintenance-Free



Catalog Number	D ₁	D ₂	L Length ±.010	d Shaft Dia.	D _g Housing Bore	D ₁ E Installed I.D.
BSNPLN-96TH56	6.0000	6.1875	3.5000	6.0000	6.1874	6.0070
BSNPLN-96TH60			3.7500			
BSNPLN-96TH64			4.0000			
BSNPLN-96TH72			4.5000			
BSNPLN-96TH76			4.7500			
BSNPLN-96TH80			5.0000			
BSNPLN-100TH32	6.2500	6.4375	2.0000	6.2500	6.4374	6.2570
BSNPLN-100TH36			2.2500			
BSNPLN-100TH40			2.5000			
BSNPLN-100TH48			3.0000			
BSNPLN-100TH56			3.5000			
BSNPLN-100TH60			3.7500			
BSNPLN-100TH64			4.0000			
BSNPLN-100TH72			4.5000			
BSNPLN-100TH76			4.7500			
BSNPLN-100TH80			5.0000			
BSNPLN-104TH32	6.5000	6.6875	2.0000	6.5000	6.6874	6.5070
BSNPLN-104TH36			2.2500			
BSNPLN-104TH40			2.5000			
BSNPLN-104TH48			3.0000			
BSNPLN-104TH56			3.5000			
BSNPLN-104TH60			3.7500			
BSNPLN-104TH64			4.0000			
BSNPLN-104TH72			4.5000			
BSNPLN-104TH76			4.7500			
BSNPLN-104TH80			5.0000			

NOTE: A composite liner consists of a carbon steel backing, an intermediate layer of sintered bronze and PTFE.