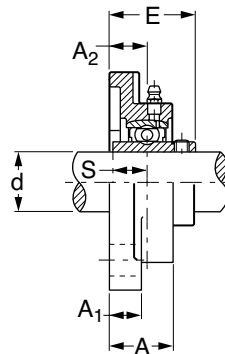
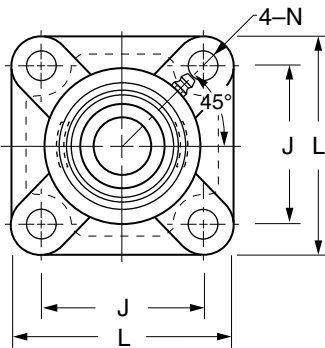




**NEW**

**Standard Duty Four-Bolt Flange Mounting Blocks  
SET SCREW TYPE**

- Cast Iron Housing • Dual Seal Type



Catalog Number	Ød Shaft	L	J	A <sub>2</sub>	A <sub>1</sub>	A	E	N	S	Bolt Size	Weight lb.
BBXBLK-UCF2018S	1/2										
BBXBLK-UCF20210S	5/8	3	2-1/8	19/32	7/16	31/32	1-7/32	7/16	7/16	3/8	1.14
BBXBLK-UCF20311S	11/16										
BBXBLK-UCF20412	3/4	3-3/8	2-17/32	19/32	7/16	1	1-5/16	7/16	1/2	3/8	1.41
BBXBLK-UCF20514	7/8										
BBXBLK-UCF20515	15/16	3-3/4	2-3/4	5/8	1/2	1-1/16	1-13/32	7/16	9/16	3/8	1.76
BBXBLK-UCF20516	1										
BBXBLK-UCF20618	1-1/8										
BBXBLK-UCF20619	1-3/16	4-1/4	3-9/32	23/32	1/2	1-7/32	1-19/32	7/16	5/8	3/8	2.35
BBXBLK-UCF20620	1-1/4										
BBXBLK-UCF20720	1-1/4										
BBXBLK-UCF20721	1-5/16	4-19/32	3-5/8	3/4	19/32	1-11/32	1-3/4	9/16	11/16	1/2	3.08
BBXBLK-UCF20722	1-3/8										
BBXBLK-UCF20723	1-7/16										
BBXBLK-UCF20824	1-1/2	5-1/8	4-1/32	27/32	19/32	1-13/32	2-1/32	9/16	3/4	1/2	3.96
BBXBLK-UCF20825	1-9/16										
BBXBLK-UCF20926	1-5/8										
BBXBLK-UCF20927	1-11/16	5-13/32	4-1/8	7/8	5/8	1-1/2	2-1/16	5/8	3/4	9/16	4.85
BBXBLK-UCF20928	1-3/4										
BBXBLK-UCF21030	1-7/8	5-5/8	4-3/8	7/8	5/8	1-9/16	2-5/32	23/32	3/4	5/8	5.29
BBXBLK-UCF21031	1-15/16										
BBXBLK-UCF21132	2										
BBXBLK-UCF21134	2-1/8	6-3/8	5-1/8	1	23/32	1-11/16	2-5/16	23/32	7/8	5/8	7.71
BBXBLK-UCF21135	2-3/16										
BBXBLK-UCF21236	2-1/4										
BBXBLK-UCF21238	2-3/8	6-29/32	5-5/8	1-5/32	23/32	1-29/32	2-23/32	23/32	1	5/8	9.25
BBXBLK-UCF21239	2-7/16										
BBXBLK-UCF21340	2-1/2	7-3/8	5-7/8	1-3/16	7/8	1-31/32	2-3/4	23/32	1	5/8	11.68
BBXBLK-UCF21444	2-3/4	7-5/8	6	1-7/32	7/8	2-1/8	2-31/32	23/32	1-3/16	5/8	13.00
BBXBLK-UCF21547	2-15/16										
BBXBLK-UCF21548	3	7-7/8	6-1/4	1-11/32	7/8	2-7/32	3-3/32	23/32	1-5/16	5/8	13.88
BBXBLK-UCF21752	3-1/4	8-21/32	6-29/32	1-13/32	15/16	2-15/32	3-7/16	29/32	1-11/32	3/4	19.62
BBXBLK-UCF21856	3-1/2	9-1/4	7-3/8	1-9/16	1	2-11/16	3-25/32	29/32	1-9/16	3/4	25.52

NOTE: See page 82 for insert bearing data.