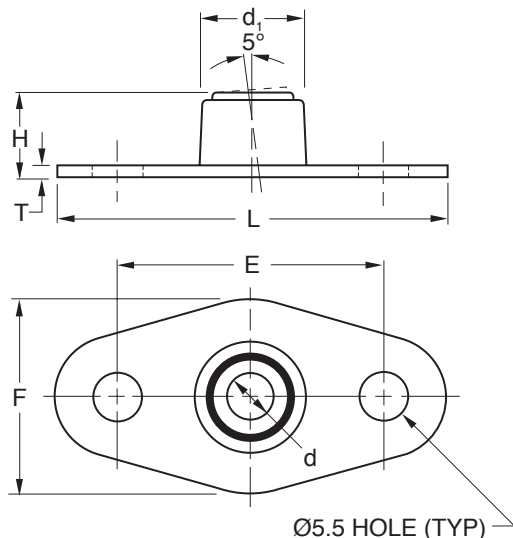




Sintered Bronze FLANGE-MOUNTED PRESSBEARINGS

- Oil-Impregnated Sintered Bronze Bearing
- Carbon Steel Retainer, Black Oxide Finish



The projections shown are per ISO convention.



Features:

- Press-fit installation
- Self-aligning to $\pm 5^\circ$
- Self-lubricating

SHAFT RECOMMENDATIONS:

Finish: 0.4 μm or finer.

Material: Cold-rolled steel, drill rod, hardened and ground steels, or nonaustenitic stainless steel.

DESIGN PARAMETERS

Operating Temperature: 28°C to +93°C

Catalog Number	Nom. I.D.	d I.D.		d ₁ Panel Clearance Hole Diameter	L	F	E	H Height	Nom. T	Max. Speed rpm	Max. Radial Load N	
		Min.	Max.									
*BDBRSSMBLK04	4	4.01	4.03	13.8	45	22	31	10.2	1.2	16110	400	
BDBRSSMBLK06	6	6.02	6.04	10.3		22.3						
BDBRSSMBLK08	8	8.02	8.04	17	53	30.2	39	11.5	1.5	12120	1190	
BDBRSSMBLK10	10	10.02	10.04	17								9700
BDBRSSMBLK12	12	12.03	12.05	21.7	60	36.5	45.2	16.3	1.5	8060	2530	
BDBRSSMBLK15	15	15.03	15.05	28.1		39.7		19.4		2.3	6460	3750
BDBRSSMBLK18	18	18.03	18.05	32.9		47		22.5		2.3	5380	5370

*To be discontinued when present stock is depleted.