

FOR SINGLE CORE POSI-DRIVE BELTS
PIN TYPE

PHONE: 516.328.3300 • FAX: 516.326.8827 • WWW.SDP-SI.COM

1/8, 3/16 & 1/4 BORES

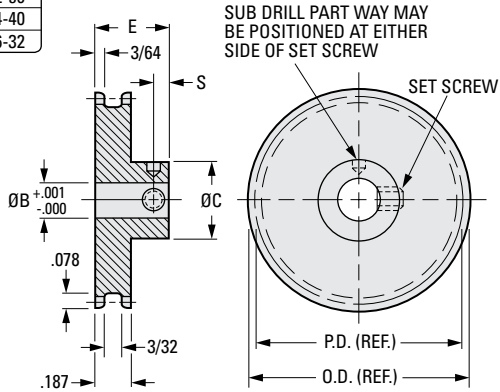
> MATERIAL:

- 303 Stainless Steel
- 2024-T4 Aluminum anodized before cutting

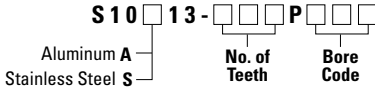
> SPECIFICATIONS:

SPROCKET

Bore	Bore Code	B	C	S	E	Set Screw
1/8	125	.1248	.312	.090	.375	#2-56
3/16	187	.1873	.375	.110	.406	#4-40
1/4	250	.2498	.500	.120	.437	#6-32



INCH COMPONENT CATALOG NUMBER



Sprocket Data			Bore Code Availability		
No. of Teeth	P.D.	O.D.			
*010	.500	.562	125	187	250
*011	.550	.612			
*012	.600	.662			
*013	.650	.712			
*014	.700	.762			
*015	.750	.812			
016	.800	.862			
017	.850	.912			
018	.900	.962			
019	.950	1.012			
020	1.000	1.062			
022	1.100	1.162			
024	1.200	1.262			
025	1.250	1.312			
026	1.300	1.362			
028	1.400	1.462			
030	1.500	1.562			
032	1.600	1.662			
035	1.750	1.812			
036	1.800	1.862			
040	2.000	2.062			
045	2.250	2.312			
050	2.500	2.562			
060	3.000	3.062			
070	3.500	3.562			
080	4.000	4.062			

* Recommended for use as an idler only.

- 1
- 2
- 3
- 4
- 5
- 6
- 7
- 8
- 9
- 10
- 11
- 12
- 13
- 14
- 15
- 16