

# POSI-DRIVE SPROCKETS • 32 PITCH



FOR SINGLE CORE POSI-DRIVE BELTS  
PIN TYPE

PHONE: 516.328.3300 • FAX: 516.326.8827 • WWW.SDP-SI.COM

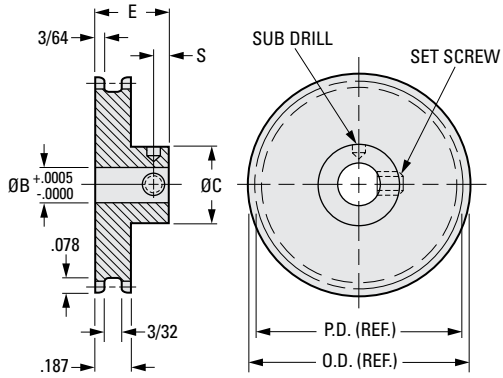
1/8, 3/16 & 1/4 BORES

**> MATERIAL:**

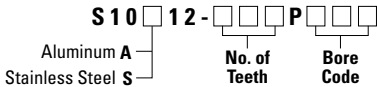
- 303 Stainless Steel
- 2024-T4 Aluminum, anodized before cutting

**> SPECIFICATIONS:**

Bore	Bore Code	B	C	S	E	Set Screw
1/8	125	.1248	.312	.090	.375	#2-56
3/16	187	.1873	.375	.110	.406	#4-40
1/4	250	.2498	.500	.120	.437	#6-32



### INCH COMPONENT CATALOG NUMBER



Example: S10A12-024P125 is a 24 Tooth 1/8" Bore Aluminum Sprocket.

Sprocket Data			Bore Code Availability		
No. of Teeth	P.D.	O.D.			
*014	.4375	.500	125	187	250
*015	.4687	.531			
016	.5000	.563			
018	.5625	.625			
020	.6250	.688			
022	.6875	.750			
024	.7500	.813			
026	.8125	.875			
028	.8750	.938			
030	.9375	1.000			
032	1.0000	1.063			
036	1.1250	1.188			
040	1.2500	1.313			
048	1.5000	1.563			
056	1.7500	1.813			
064	2.0000	2.063			
072	2.2500	2.313			
080	2.5000	2.563			
088	2.7500	2.813			
096	3.0000	3.063			
112	3.5000	3.563			
128	4.0000	4.063			
			—		

\* Recommended for use as an idler only.

- I
- R
- T
- 1
- 2
- 3
- 4
- 5
- 6
- 7
- 8
- 9
- 10
- 11
- 12
- 13
- 14
- 15
- 16