

BRACKET-MOUNTED

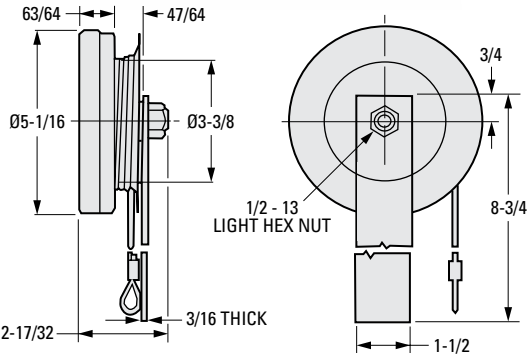
PHONE: 516.328.3300 • FAX: 516.326.8827 • WWW.SDP-SI.COM

**> MATERIAL:**

- Cable** - Ø3/32 Galvanized Steel, Nylon Coated to Ø1/8
- Spring** - High-Carbon Steel
- Case, Cable Reel & Mounting Bracket** - Steel, Zinc Coated

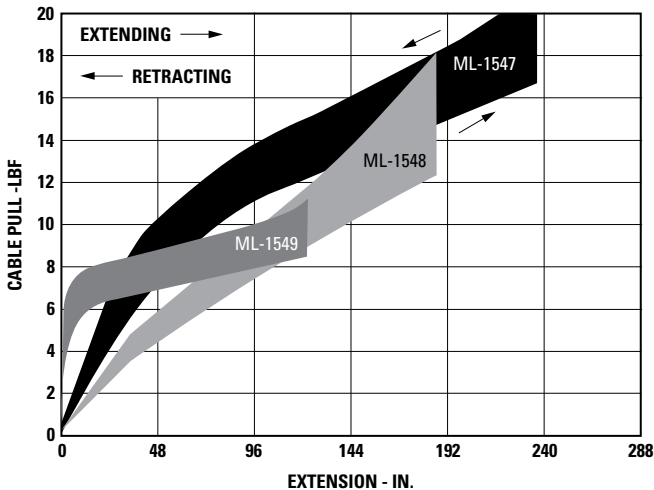
**> APPLICATIONS:**

- Counterbalances
- Door closers
- Cable retractors
- Hose retrievers
- Tool head returns
- Cabinet & furniture components
- Other long-motion functions



**INCH COMPONENT**

Catalog Number	Cable Length in.	Retracting Force lbf
A 3Z53-ML1547	126	15
A 3Z53-ML1548		11
A 3Z53-ML1549		8



Charts are for reference only

I  
R  
T  
1  
2  
3  
4  
5  
6  
7  
8  
9  
10  
11  
12  
13  
14  
15  
16