

BASE-MOUNTED

PHONE: 516.328.3300 • FAX: 516.326.8827 • WWW.SDP-SI.COM

> MATERIAL:

- Base ML1448** - Stainless Steel
- ML2900 Series** - Steel, Zinc Plated
- Drums ML1448** - Nylon
- ML2900 Series** - Celcon or Nylon
- Springs (All)** - 301 Stainless Steel, Hi-Yield
- Cable ML1448** - Ø.015 Nylon Monofilament (15 lb. test)
- ML2900 Series** - Ø.024 Stainless Steel, Uncoated

Spring motor assemblies provide linear and rotary output as product components of experimental prototypes. A constant torque motor consists of a Neg'ator band, take-up drum, larger output drum, baseplate and cable.

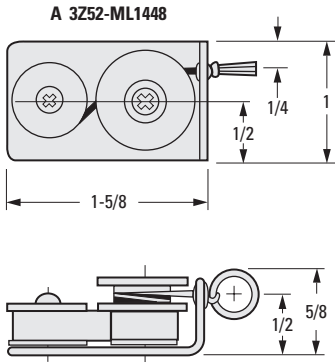
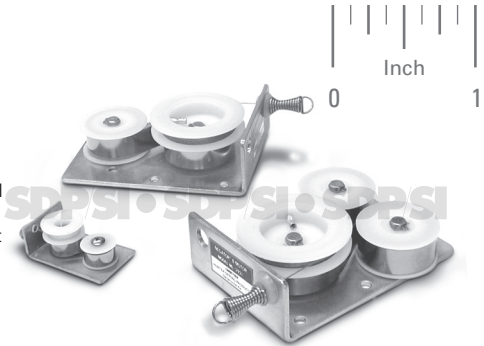


Fig. 1

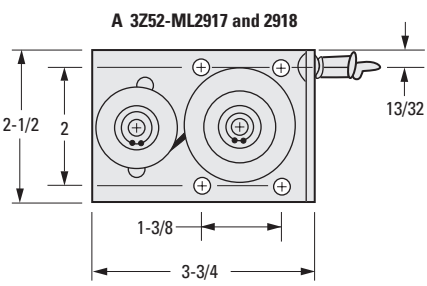


Fig. 2

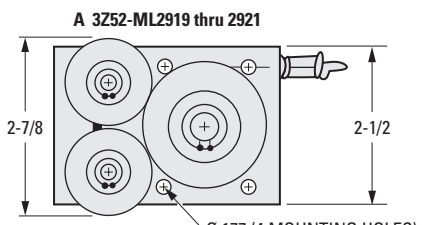
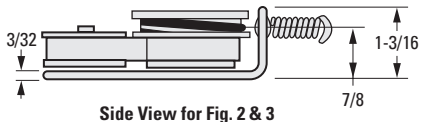


Fig. 3



Side View for Fig. 2 & 3

INCH COMPONENT

Catalog Number	Fig. No.	Spring Torque lb-in.	Cable Tension lbs	Cable Length in.	No. of Rev's	Endurance (Min. No. of Cycles)
A 3Z52-ML1448	1	.10	.375	36	20	3000
A 3Z52-ML2917	2	.78	1.000	72	15	7500
A 3Z52-ML2918		1.56	2.000			2500
A 3Z52-ML2919	3	2.33	3.000	72	15	4500
A 3Z52-ML2920		3.12	4.000			2500
A 3Z52-ML2921		3.90	5.000			2000

NOTE: Torque and cable loads are nominal.

15-46
D820

I
R
T
1
2
3
4
5
6
7
8
9
10
11
12
13
14
15
A

BASE-MOUNTED

PHONE: 516.328.3300 • FAX: 516.326.8827 • WWW.SDP-SI.COM

> MATERIAL:

- Base** - Steel, Zinc Plated
- Drums** - Acetal
- Springs** - 301 Stainless Steel, Hi-Yield
- Cable** - Ø.031 Galvanized Steel, Nylon Coated to Ø.047



Spring motor assemblies provide linear and rotary output as product components of experimental prototypes. A constant torque motor consists of a Neg'ator band, take-up drum, larger output drum, baseplate and cable.

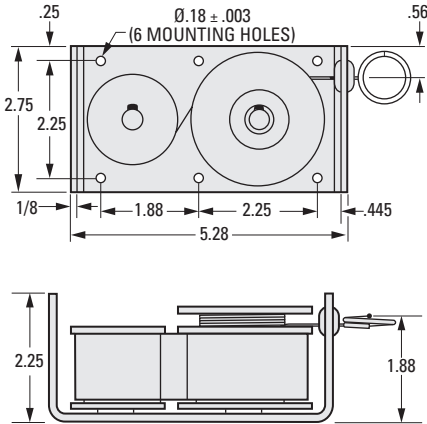


Fig. 1

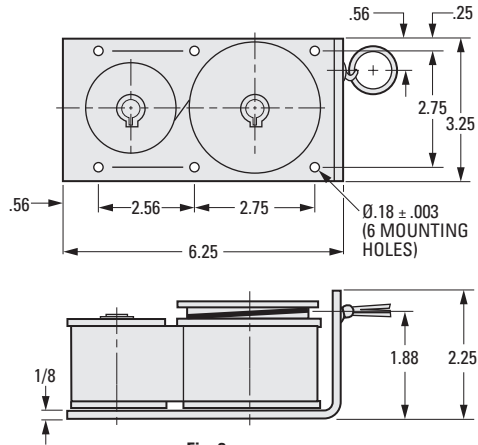


Fig. 2

INCH COMPONENT

Catalog Number	Fig. No.	Spring Torque lb-in.	Cable Tension lbs	Cable Length in.	No. of Rev's	Endurance (Min. No. of Cycles)
A 3252-ML2476	1	6.65	7.5	42	8	6000
A 3252-ML2478		7.95	10.0	37	7	5000
A 3252-ML2480		11.90	15.0	33	6	2500
A 3252-ML2482	2	15.50	15.0	160	29	2000
A 3252-ML2484		13.90	13.5	160	29	2500
A 3252-ML2486		10.60	10.0	184	33	4000
A 3252-ML2488		8.06	7.5	207	36	6000
A 3252-ML2490		5.62	5.0	235	40	9000
A 3252-ML2492		3.63	3.1	273	45	15000

NOTE: Torque and cable loads are nominal.

- I
- R
- T
- 1
- 2
- 3
- 4
- 5
- 6
- 7
- 8
- 9
- 10
- 11
- 12
- 13
- 14
- 15
- A