

BASE-MOUNTED

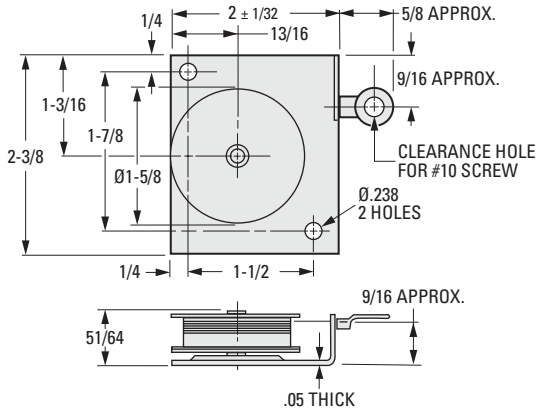
PHONE: 516.328.3300 • FAX: 516.326.8827 • WWW.SDP-SI.COM

**> MATERIAL:**

- Cable** - 0.024 7 x 3 Stainless Steel
- Spring** - 301 Stainless Steel
- Drum** - Stainless Steel
- Base** - Steel, Zinc Coated

**> APPLICATIONS:**

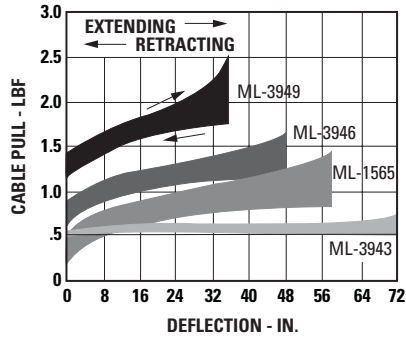
- Counterbalances
- Door closers
- Cable retractors
- Hose retrievers
- Tool head returns
- Cabinet & furniture components
- Other long-motion functions



**INCH COMPONENT**

Catalog Number	Usable Cable Length in.	Retracting Force lbf
* A 3Z53-ML1565	61	.75
A 3Z53-ML3949	39	1.8
A 3Z53-ML3946	49	1.2
A 3Z53-ML3943	81	.5

\* 0.034" nylon coated stainless steel cable, the others will be 0.024" uncoated stainless steel.



Charts are for reference only

I  
R  
T  
1  
2  
3  
4  
5  
6  
7  
8  
9  
10  
11  
12  
13  
14  
15  
16