

BASE-MOUNTED  
CLOSED CASE

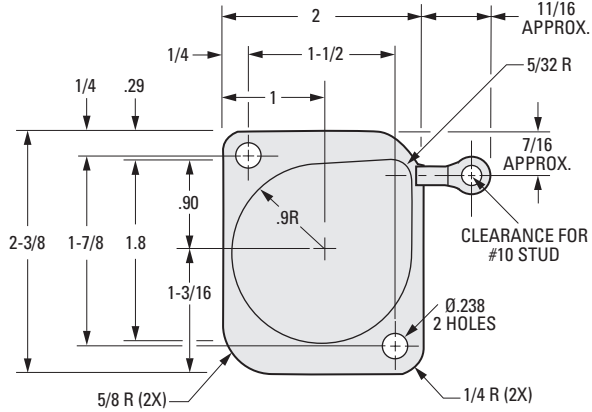
PHONE: 516.328.3300 • FAX: 516.326.8827 • WWW.SDP-SI.COM

**> MATERIAL:**

- Cable** -  $\emptyset$ .018 7 x 7 Stainless Steel, Nylon Coated to  $\emptyset$ .024
- Spring** - 301 Stainless Steel
- Drum & Base** - ABS, Closed Case

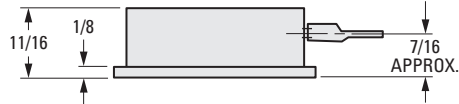
**> APPLICATIONS:**

- Counterbalances
- Door closers
- Cable retractors
- Hose retrievers
- Tool head returns
- Cabinet & furniture components
- Other long-motion functions



**INCH COMPONENT**

Catalog Number	Cable Approx. Length in.	Force lbs
A 3253-ML45751	42	2.0
A 3253-ML45752	52	1.5
A 3253-ML45753	64	1.0
A 3253-ML45754	84	.5



- I
- R
- T
- 1
- 2
- 3
- 4
- 5
- 6
- 7
- 8
- 9
- 10
- 11
- 12
- 13
- 14
- 15
- 16