

2500 CYCLES LIFE

PHONE: 516.328.3300 • FAX: 516.326.8827 • WWW.SDP-SI.COM

> MATERIAL:

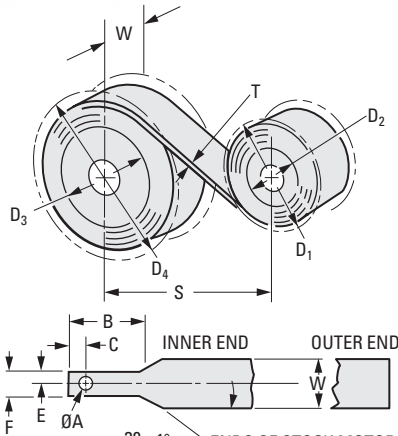
301 Stainless Steel

> FATIGUE LIFE:

2500 Cycles Minimum



Neg'ator® Spring Motors are made of 301 Stainless Steel and are shipped as shown, to be mounted on drums (not supplied) of the recommended diameters.



30 ± 1° ENDS OF STOCK MOTOR SPRINGS ARE FORMED AS "TONGUES" FOR MOUNTING.

INCH COMPONENT

Catalog Number	Torque* lbf in. +10%	Recommended Drum Sizes		Recommended Flange Diameter		T Thickness	W Width	Length
		D ₂ Storage	D ₃ Output	D ₁ Storage	D ₄ Output			
A 3X51-20002	.13	.32	.56	.51	.69	.002	.250	44
A 3X51-20004	.34	.51	.89	.82	1.11	.004	.250	70
A 3X51-20005	.65	.64	1.12	1.02	1.38	.005	.312	87
A 3X51-20006	1.13	.77	1.34	1.23	1.66	.006	.375	106
A 3X51-20007	1.81	.90	1.57	1.45	1.94	.007	.437	124
A 3X51-20008	2.65	1.03	1.78	1.64	2.21	.008	.500	144
A 3X51-20009	3.87	1.16	2.01	1.86	2.48	.009	.562	159
A 3X51-20010	5.50	1.28	2.23	2.04	2.76	.010	.625	175
A 3X51-20011	7.06	1.41	2.46	2.27	3.04	.011	.687	195
A 3X51-20012	9.00	1.53	2.67	2.45	3.32	.012	.750	210

* Torque ratings listed are for the "unwinding" portion of cycle.

In long-running motors (over 15 turns), torque at fully wound end of cycle will be slightly higher.

Catalog Number (Ref.)	Spring End Details					S	Number of Turns
	A Dia.	B	C	E	F		
A 3X51-20002	.093	.750	.125	.078	.156	.69	20
A 3X51-20004						1.11	
A 3X51-20005	.120	1.260	.187	.105	.210	1.38	
A 3X51-20006						1.66	
A 3X51-20007	.172	1.500	.250	.156	.317	1.95	
A 3X51-20008						2.21	
A 3X51-20009	.172	1.500	.250	.156	.317	2.48	
A 3X51-20010						2.76	
A 3X51-20011	.172	1.500	.250	.156	.317	3.04	
A 3X51-20012						3.32	