

EXTENSION SPRINGS

PHONE: 516.328.3300 • FAX: 516.326.8827 • WWW.SDP-SI.COM

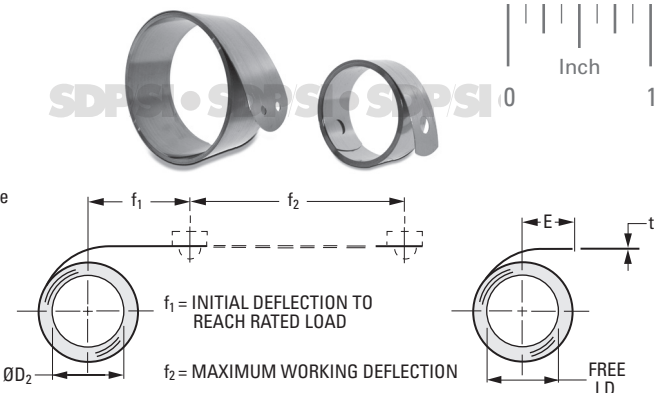
> MATERIAL:

301 Stainless Steel

> FATIGUE LIFE:

20000 Cycles Minimum

These springs provide the design engineer with a convenient choice of sizes for use in developing product prototypes and small production quantities. Springs are supplied with free ends punched for fastening as indicated in the drawings.



INCH COMPONENT

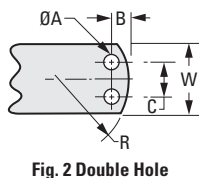
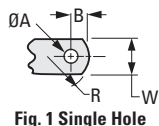
Catalog Number	Load lb $\pm 10\%$	D ₂ Drum Dia.*	Free I.D. Ref.	f ₁	f ₂	t Thickness	W Width	Band Length
A 3X50-SL04D16	.23	.631	33/64	.950	12	.004	1/4	16
A 3X50-SL05E17	.36	.787	21/32	1.180	12	.005	5/16	17
A 3X50-SL05F30	.43	.750	21/32	1.120	25	.005	3/8	30
Δ A 3X50-SL06F24	.52	.947					3/8	
Δ A 3X50-SL06G24	.70			1.430	18	.006	1/2	24
Δ A 3X50-SL08G31	.93	1.260	1-3/64	1.880		.008	1/2	31
A 3X50-SL10J33	1.46	1.580	1-21/64	2.370	24	.010	5/8	33
A 3X50-SL12K42	2.09				30		3/4	
A 3X50-SL12P42	2.80	1.900	1-37/64	2.870	30	.012	1	42
A 3X50-SL15P46	3.50						1	
A 3X50-SL15R46	4.37	2.370	1-63/64	3.560	30	.015	1-1/4	46
A 3X50-SL20R54	5.83						1-1/4	
A 3X50-SL20S54	6.99	3.160	2-5/8	4.750	36	.020	1-1/2	54
A 3X50-SL25S59	8.74						1-1/2	
A 3X50-SL25U59	11.70	3.960	3-19/64	6.000	36	.025	2	59
A 3X50-SL31U69	14.40	4.890	4-5/64	7.300	42	.031	2	69

* Drums are not supplied.

Δ Springs have a hole at both ends.

> MOUNTING HOLE SPECIFICATIONS

Catalog Number (Ref.)	E	R Radius	A Dia.	B	C
Fig. 1					
A 3X50-SL04D16	5/16	7/32**	.131	3/16	
A 3X50-SL05E17	13/32				
A 3X50-SL05F30	5/16	7/32**	.187	5/16	
Δ A 3X50-SL06F24	1/2	1/2	.191	11/32	—
Δ A 3X50-SL06G24					
Δ A 3X50-SL08G31	5/8				
A 3X50-SL10J33	3/4				
A 3X50-SL12K42	7/8	1/2	.191	3/8	
A 3X50-SL12P42	7/8	1-1/32**	.193	3/8	
A 3X50-SL15P46					
A 3X50-SL15R46	1				
A 3X50-SL20R54	1-1/2	1-1/32	.193	3/8	
Fig. 2					
A 3X50-SL20S54	1-1/2	1-1/32	.256	5/8	.766
A 3X50-SL25S59					
A 3X50-SL25U59					
A 3X50-SL31U69					



**CHANGE IN RADIUS

Present Radius	Radius Supplied after Present Stock is Depleted
7/32	1/2
1-1/32	9/16