

## EXTENSION SPRINGS

PHONE: 516.328.3300 • FAX: 516.326.8827 • WWW.SDP-SI.COM

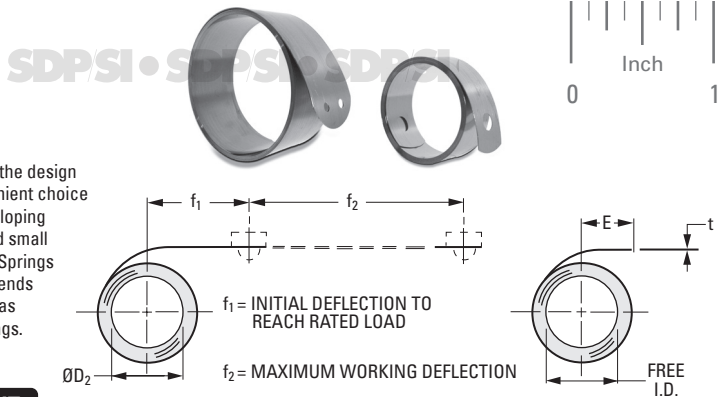
### > MATERIAL:

301 Stainless Steel

### > FATIGUE LIFE:

13000 Cycles Minimum

These springs provide the design engineer with a convenient choice of sizes for use in developing product prototypes and small production quantities. Springs are supplied with free ends punched for fastening as indicated in the drawings.



### INCH COMPONENT

Catalog Number	Load lb ± 10%	D <sub>2</sub> Drum Dia.*	Free I.D. Ref.	f <sub>1</sub>	f <sub>2</sub>	t Thickness	W Width	Band Length
A 3X50-SK04D15	.32	.533	7/16	.80	12	.004	1/4	15
A 3X50-SK04E15	.40						5/16	
A 3X50-SK05E16	.49	.665	9/16	1.00	12	.005	5/16	16
A 3X50-SK06F23	.71	.798	43/64	1.20	18	.006	3/8	23
A 3X50-SK06G23	.95						1/2	
A 3X50-SK08G30	1.26	1.060	7/8	1.59	24	.008	1/2	30
Δ A 3X50-SK08J30	1.58						5/8	
A 3X50-SK10J32	1.98	1.330	1-7/64	2.00	24	.010	5/8	32
A 3X50-SK10K32	2.37						3/4	
A 3X50-SK12K40	2.84	1.590	1-11/32	2.38	30	.012	3/4	40
A 3X50-SK12P40	3.79						1	
A 3X50-SK15P42	4.74	1.990	1-43/64	2.98	30	.015	1	42
A 3X50-SK18P47	5.69	2.400	2	3.60	32	.018	1	47
A 3X50-SK20S52	9.48	2.650	2-7/32	3.97	36	.020	1-1/2	52
A 3X50-SK25S57	11.90	3.330	3	5.00	36	.025	1-1/2	57
A 3X50-SK25U57	15.80						2	
A 3X50-SK31U68	19.60	4.120	3-7/16	6.18	42	.031	2	68

\* Drums are not supplied.

Δ Spring has a hole at both ends.

### > MOUNTING HOLE SPECIFICATIONS

Catalog Number (Ref.)	E	R Radius	A Dia.	B	C
<b>Fig. 1</b>					
A 3X50-SK04D15	1/4	7/32**	.131	3/16	—
A 3X50-SK04E15					
A 3X50-SK05E16	5/16				
A 3X50-SK06F23	3/8				
A 3X50-SK06G23					
A 3X50-SK08G30	1/2				
Δ A 3X50-SK08J30					
A 3X50-SK10J32	5/8				
A 3X50-SK10K32					
A 3X50-SK12K40	7/8				
A 3X50-SK12P40	7/8				
A 3X50-SK15P42	1	1-1/32**	.193	3/8	
A 3X50-SK18P47	1-1/8				
<b>Fig. 2</b>					
A 3X50-SK20S52	1-1/4	1-1/32	.256	5/8	.766
A 3X50-SK25S57	1-1/2				
A 3X50-SK25U57					
A 3X50-SK31U68	2				

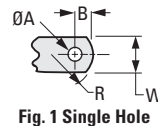


Fig. 1 Single Hole

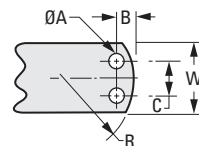


Fig. 2 Double Hole

### \*\*CHANGE IN RADIUS

Present Radius	Radius Supplied after Present Stock is Depleted
7/32	1/2
1-1/32	9/16

15-37  
D820

REVISED:  
8/24/23