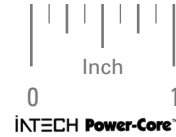


Plastic Cam Followers are Ideal for High-Speed Applications

In many of today's high-speed and lightweight applications plastic components succeed where metal formerly served. Cam followers using plastic, high load capacity composite rollers are a maintenance-free alternative to traditional metal designs.

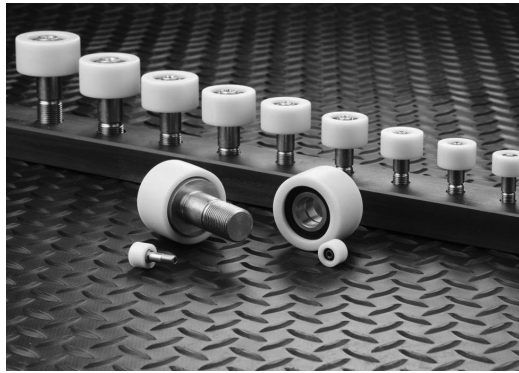


These cam followers are designed to transmit motion and carry load in today's high-speed and light-duty machines in medical, packaging, and semi-conductor equipment. Using plastic-composite rollers they are the best choice for many applications including cleanroom operations. Two possible sources of contamination – excess grease and metal particulates due to metal-on metal contact are eliminated due to the self-lubricating material of the roller.

Traditional metal cam followers are built for high loads, yet in many applications are used to transmit motion, not for their load bearing capacity. Rail or cam surfaces must be hardened and a manual or central lubrication system must be provided to protect the bearings and rail from failing. The plastic cam followers are a cost saving alternative, providing years of maintenance free operation without damaging rails, especially aluminum.

Features:

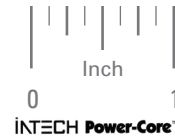
- Drop in and forget replacement for metal cam followers
- Eliminates costly maintenance
- Greaseless, no grease needed for the bearings or the rail
- High load ratings
- High-speed capacity
- Quiet running due to shock and vibration absorbing capabilities
- Trouble-free operation in harsh environments
- Good performance at subzero temperatures, does not absorb moisture
- Eliminates wear of metal or aluminum surfaces
- No need to case harden steel cams



The cam follower design includes a Stainless Steel shaft and lubricant free plastic roller where precision ball bearings are enclosed and lubricated for life. Call us today about your application, other materials and custom designs are available to meet your specific need.

REPLACEMENT FOR METAL CAM FOLLOWERS
 ELIMINATES NEED TO LUBRICATE
 5/8" TO 2-1/2" O.D. SIZES
 ELIMINATES METAL-ON-METAL WEAR
 ABSORBS SHOCK AND VIBRATION
 QUIET OPERATION

PHONE: 516.328.3300 • FAX: 516.326.8827 • WWW.SDP-SI.COM

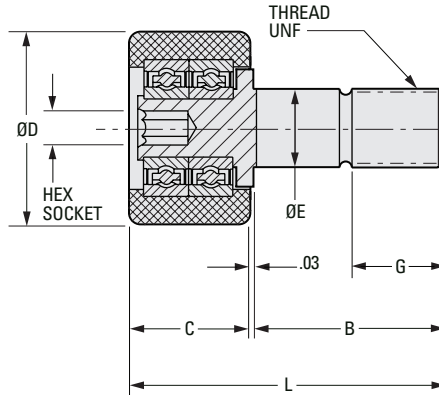


> MATERIAL:

- Roller** - Precision Machined Hi-Tech Polymers
- Bearings** - Ball Bearings
- Stud** - Stainless Steel

> FEATURES:

- Clean operation, will not contaminate product or surroundings with lubricant or metal flakes
- Can support axial load
- Low-rolling resistance
- Built for high-speed applications
- Precision ball bearings pre-lubricated for life
- Maintains dimensional stability under adverse conditions
- Light-weight compared to metal
- Does not wear steel or aluminum surfaces
- Available with Stainless Steel bearings and shafts
- Polymer tire does not absorb moisture, suitable for washdown
- High-load capacity (see table)



INCH COMPONENT

Catalog Number	B Stud Length	D Roller Dia.	E Stud Dia.	C Roller Width	Thread UNF	G Thread Length	Max. Load Capacity lbs
S7NSRY-025063	.750	.625	.250	.438	1/4-28	.312	60
S7NSRY-038075	.875	.750	.375	.500	3/8-24	.375	80
S7NSRY-038088		.875					100
S7NSRY-044100	1.000	1.000	.438	.625	7/16-20	.500	140
S7NSRY-044113		1.125					160
S7NSRY-050125	1.250	1.250	.500	.750	1/2-20	.625	210
S7NSRY-050138		1.375					240
S7NSRY-063150	1.500	1.500	.625	.875	5/8-18	.750	300
S7NSRY-063163		1.625					330
S7NSRY-075175	1.750	1.750	.750	1.000	3/4-16	.875	400
S7NSRY-075188		1.875					430
S7NSRY-088200	2.000	2.000	.875	1.250	7/8-14	1.000	560
S7NSRY-088225		2.250					630
S7NSRY-100250	2.250	2.500	1.000	1.500	1-14	1.125	855

NOTE: Reference Dimension "L" (Length): L = B+C+.03

- I
- R
- T
- 1
- 2
- 3
- 4
- 5
- 6
- 7
- 8
- 9
- 10
- 11
- 12
- 13
- 14