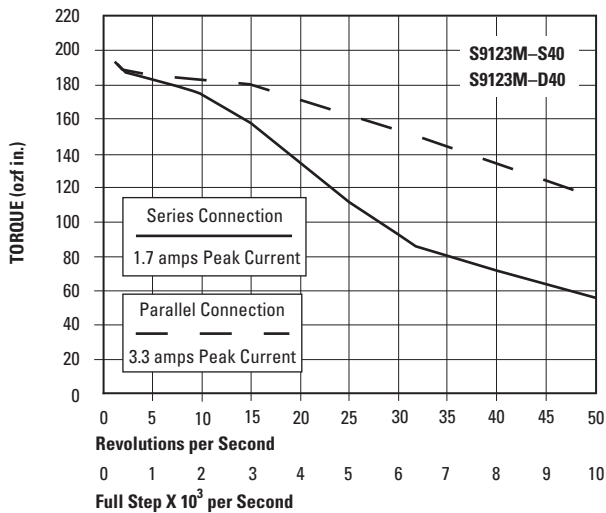
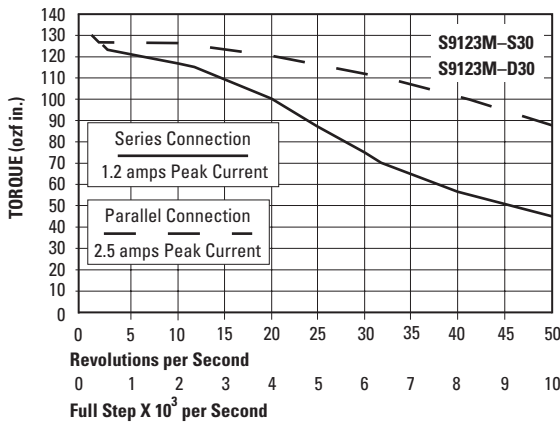
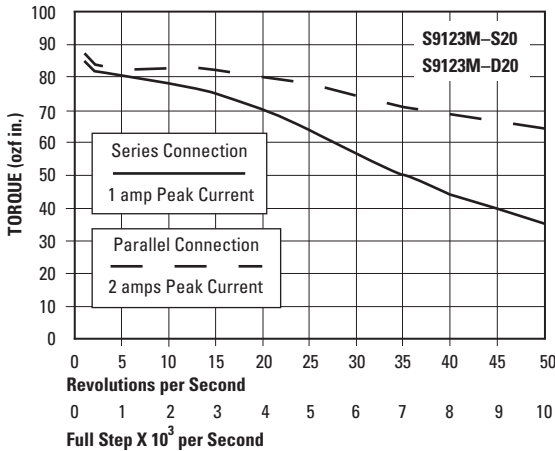


MAXIMUM THEORETICAL TORQUE CURVES
DRIVE SETTING 160V DC

PHONE: 516.328.3300 • FAX: 516.326.8827 • WWW.SDP-SI.COM



1.8° STEP ANGLE
SINGLE- OR DOUBLE-ENDED SHAFTS

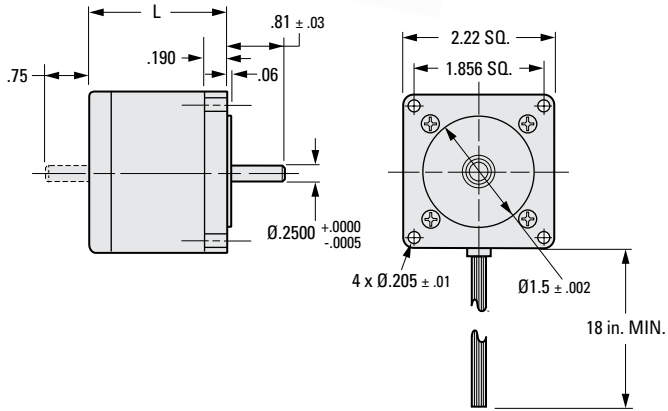
PHONE: 516.328.3300 • FAX: 516.326.8827 • WWW.SDP-SI.COM

> **VOLTAGE:**

160V DC Max. Drive

> **SPECIFICATION:**

Leads - 8 (see wiring diagram page)
Optimized for microstepping



INCH COMPONENT

Catalog Number *	Motor Conn.	L	Min. Holding Torque ozf in.	Phase Current amps	Phase Inductance mH ± 20%	Phase Resistance ohms ± 10%	Voltage V DC	Rotor Inertia oz. in. ²	Weight lb.	
S9123M-D20 S9123M-S20	Series	2	74.9	.99	17.2	5.00	4.9	.55	1.17	
	Parallel			1.98						4.3
	Unipolar			69.0						
S9123M-D30 S9123M-S30	Series	3	141.0	1.26	18.8	4.60	5.9	1.14	2.00	
	Parallel			2.52						4.7
	Unipolar			100.0						
S9123M-D40 S9123M-S40	Series	4	212.0	1.75	16.8	3.30	5.7	1.72	2.80	
	Parallel			3.29						4.2
	Unipolar			150.0						

* Catalog Numbers with **D** in the suffix have **double shafts**; **S** in the suffix denotes **single shaft**.

