

IN-LINE SLIP-EASE CLUTCHES



MULTIPLATE DESIGN
ADJUSTABLE TORQUE

PHONE: 516.328.3300 • FAX: 516.326.8827 • WWW.SDP-SI.COM

► **MATERIAL:**

- Housing - Aluminum
- Plates - Brass
- Friction Pads - Proprietary (Non-asbestos)

► **FEATURES:**

- 2° Backlash.
- Long life.
- Fully adjustable within rating limits.
- Low stick/slip ratio.
- Continuous slip within dissipation limit.

► **SPECIFICATIONS:**

Fig. 2 has a bronze bearing in the hub end so that a gear, pulley, etc. can be mounted on hub D.

Other bores and keyways available on special order.



Fig. 1



Fig. 2

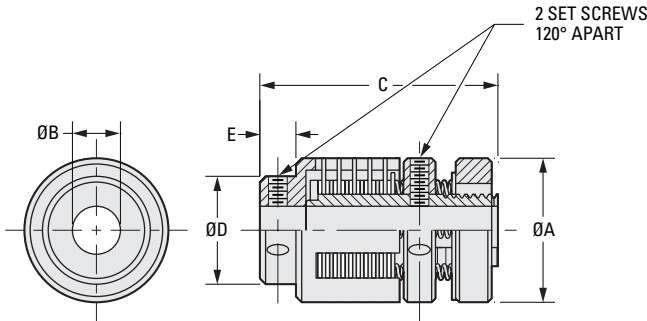


Fig. 1

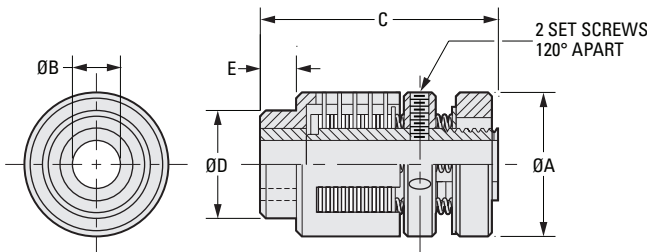


Fig. 2

Catalog Number		A Dia.	B Bore	Max. Bore	C	D Dia.	E	Torque* Range ozf in. @ 50 rpm	Dissip.* Power Watts	Friction Surfaces
Shaft to Shaft Fig. 1	Thru Shaft Fig. 2									
S98CA7-SES075125	S98CA7-SET075125	.75	.125	.250	1.25	.562	.188	24-136	4.5	10
S98CA7-SES075187	S98CA7-SET075187		.187							
S98CA7-SES100187	S98CA7-SET100187	1.00 Δ	.250	.375	1.50	.750	.250	48-256	9	12
S98CA7-SES100250	S98CA7-SET100250									
S98CA7-SES137250	S98CA7-SET137250	1.375	.375	.500	2.50	1.000	.375	80-400	15	
S98CA7-SES137375	S98CA7-SET137375									

* See Technical Applications page 13-2
 Δ Housing is black anodized.

- I
- R
- T
- 1
- 2
- 3
- 4
- 5
- 6
- 7
- 8
- 9
- 10
- 11
- 12
- NEW**
- 14
- 15
- 16