

1:1 OR 1.5:1 RATIOS
 HEAVY-DUTY SEALED BALL BEARINGS
 RIGHT- OR LEFT-HAND ROTATION
 RATED SPEEDS UP TO 1200 rpm

PHONE: 516.328.3300 • FAX: 516.326.8827 • WWW.SDP-SI.COM



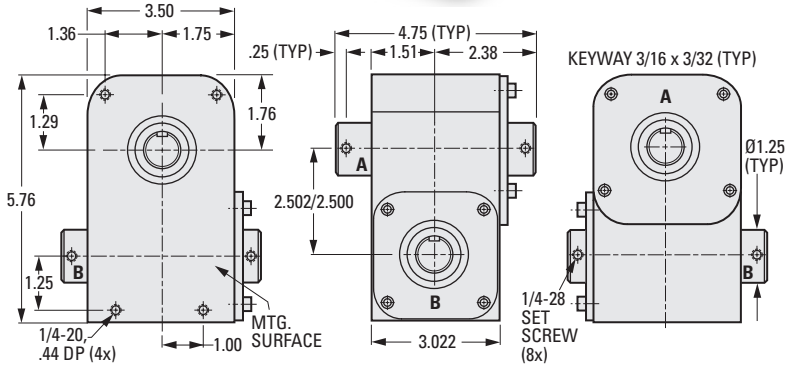
➤ **MATERIAL:**

- Shafts** - 1144 Steel, Hollow Bore
- Gears** - 4140 Heat-Treated Steel
- Case** - Aluminum Alloy, Hard-Anodized

➤ **MAXIMUM OPERATING TEMPERATURE:**

+200°F

See page 12-27 for sizing equations.



➤ **FEATURES:**

- Sealed gear case.
- Built-in keyway.
- Keys included.
- Simply add keyed shafting.

➤ **SHAFT ROTATION**

Type	Shaft	
	"A"	"B"
RH	CW	CW
LH	CW	CCW

➤ **1:1 RATIO**

rpm	Output Torque lbf in.
33	236
50	205
100	163
200	130
300	113
400	80
500	73
1000	59
1200	56

➤ **1.5:1 RATIO Theoretical Output Torque, lbf in.**

Gear Reducer		Speed Increaser	
Input rpm	Output Torque	Output rpm	Output Torque
33	246	33	110
50	213	50	96
100	170	100	76
200	135	200	61
300	118	300	53
400	83	400	37
500	76	500	34
1000	61	1000	27
1200	59	1200	26

INCH COMPONENT

Catalog Number	Type	Hollow "A" Bore Size	Hollow "B" Bore Size
1:1 Ratio			
S991HY-A6262LH	LH	5/8	5/8
S991HY-A6262RH	RH	5/8	5/8
S991HY-A6275LH	LH	5/8	3/4
S991HY-A6275RH	RH	5/8	3/4
S991HY-A7575LH	LH	3/4	3/4
S991HY-A7575RH	RH	3/4	3/4
1.5:1 Ratio			
S991HY-B6262LH	LH	5/8	5/8
S991HY-B6262RH	RH	5/8	5/8
S991HY-B6275LH	LH	5/8	3/4
S991HY-B6275RH	RH	5/8	3/4
S991HY-B7575LH	LH	3/4	3/4
S991HY-B7575RH	RH	3/4	3/4

