

# MINIATURE RIGHT ANGLE HELICAL GEAR DRIVES

# SDPSI

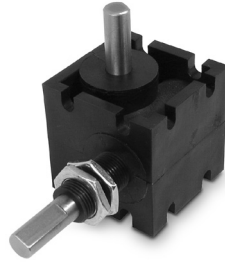
PANEL-MOUNTED  
 LIGHTWEIGHT  
 NOT FOR USE AS A SPEED INCREASER

PHONE: 516.328.3300 • FAX: 516.326.8827 • WWW.SDP-SI.COM

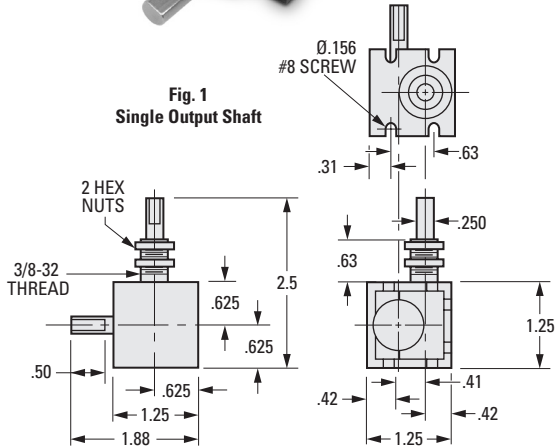
**MATERIAL:**

- Housing** - Fiberglass Reinforced Nylon
- Gears** - Hardened Steel Helical
- Shafts** - Steel
- Bearings** - Nonmetallic

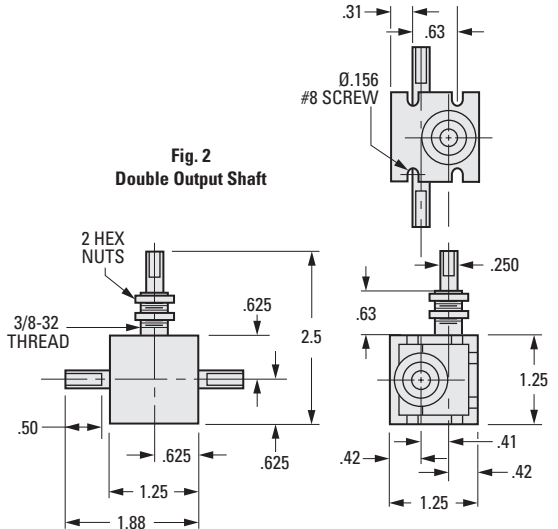
Special options on shaft, material and ratios available on special order.



**Fig. 1  
 Single Output Shaft**



**Fig. 2  
 Double Output Shaft**



**NEW**

**INCH COMPONENT**

Catalog Number	Fig. No.	Ratio	Max. rpm	Max. Continuous hp
A 2Z11-211P	1	1:1	1800	1/8
A 2Z11-221P	1	2:1	1800	1/8
A 2Z11-311P	2	1:1	1800	1/8
A 2Z11-321P	2	2:1	1800	1/8