

MINIATURE RIGHT ANGLE HELICAL GEAR DRIVES



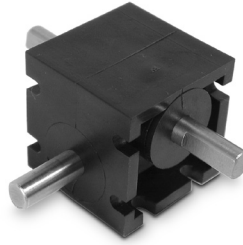
BASE-MOUNTED
LIGHTWEIGHT
NOT FOR USE AS A SPEED INCREASER

PHONE: 516.328.3300 • FAX: 516.326.8827 • WWW.SDP-SI.COM

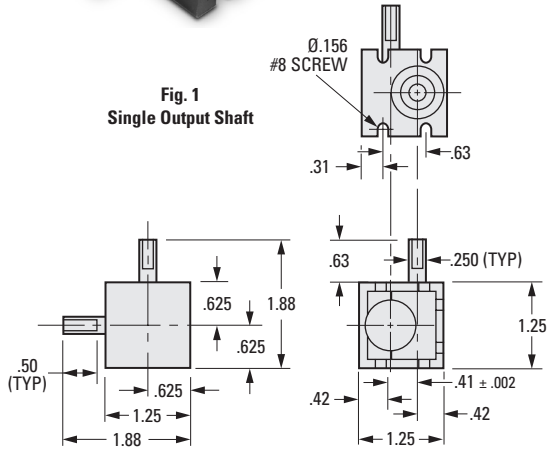
> MATERIAL:

- Housing** - Fiberglass Reinforced Nylon
- Gears** - Hardened Steel, Helical
- Shafts** - Steel
- Bearings** - Nonmetallic

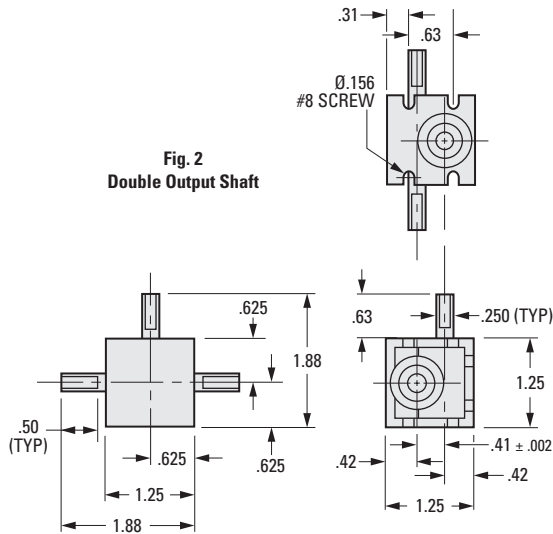
Special options on shaft, material and ratios available on special order.



**Fig. 1
Single Output Shaft**



**Fig. 2
Double Output Shaft**



INCH COMPONENT

Catalog Number	Fig. No.	Ratio	Max. rpm	Max. Continuous hp
A 2Z11-211	1	1:1	1800	1/8
A 2Z11-221	1	2:1	1800	1/8
A 2Z11-311	2	1:1	1800	1/8
A 2Z11-321	2	2:1	1800	1/8

NOTE: Flats are .03 deep.

- I
- R
- T
- 1
- 2
- 3
- 4
- 5
- 6
- 7
- 8
- 9
- 10
- 11
- 12**
- 13
- 14
- 15
- 16