

> MATERIAL:

Turcite® X

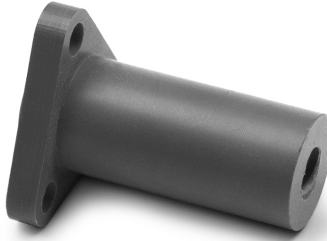
PHONE: 516.328.3300 • FAX: 516.326.8827 • WWW.SDP-SI.COM

> TEMPERATURE RANGE:

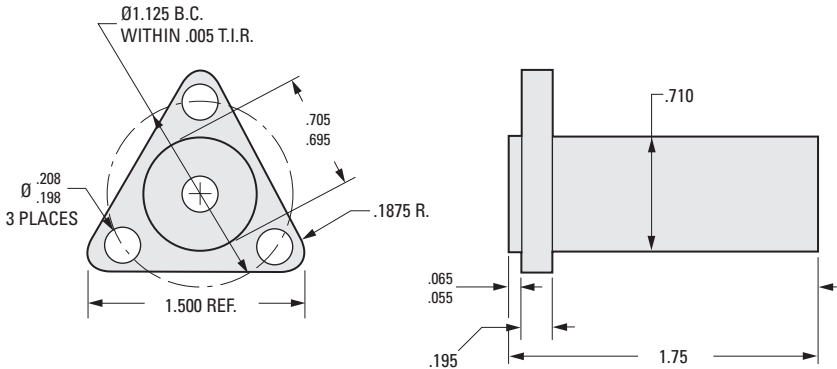
32° F to 160° F

> FEATURES:

- Lightweight.
- Low cost.
- Low friction.
- Self-lubricating.
- 75,000,000 inches of travel.



Left-hand threads available on special order.



INCH COMPONENT

Catalog Number ^Δ	Screw Size	Number of Starts	Lead in.	Max. Static Load lbf	Dynamic Load** lbf	Torque to Produce 1 lbf oz. in.
AB23FT-25161	1/4-16	1	.063	125	25	.42
AB23FT-31084	5/16-8	4	.500	250	50	1.75
AB23FT-31122	5/16-12	2	.167			.79
AB23FT-37081*	3/8-8	stub	.125	350	70	.69
AB23FT-37084*		4	.500			1.80
AB23FT-37114	3/8-11		.375	350	70	1.42
AB23FT-37121	3/8-12	1	.083			.61
AB23FT-37122		2	.167	.83		
AB23FT-43082	7/16-8		.250	350	70	1.14
AB23FT-43084		4	.500			1.85
AB23FT-50102		2	.200			1.07

^Δ To be discontinued when present stock is depleted.

* Nut has ribbed body shape within the .710 dimensions above.

** Reduce load by 90% for continuous load applications.