

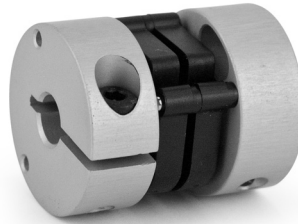
CONSTANT-VELOCITY
REDUCES ROTATIONAL VIBRATION
HIGH TORSIONAL STIFFNESS

PHONE: 516.328.3300 • FAX: 516.326.8827 • WWW.SDP-SI.COM



➤ **MATERIAL:**

- Hubs - Aluminum
- Control-Flex Member - Acetal
- Pins - Hardened Alloy Steel
- Socket Head Screws - Alloy Steel



➤ **MISALIGNMENT COMPENSATION:**

Max. Angular Offset: 1°

➤ **OPERATING TEMPERATURE:**

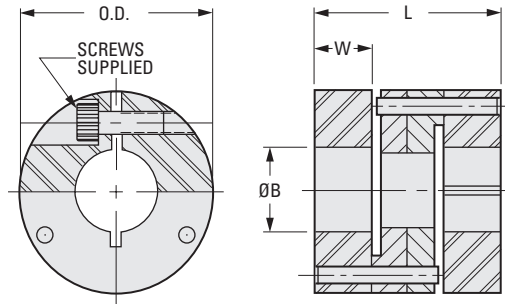
-10°F to +150°F

➤ **FEATURES:**

- Lightweight, low inertia.
- No maintenance, no lubrication.
- No change in angular velocity or torque due to misalignment.
- No end thrust due to torque transmission.
- Zero Backlash.
- Electrical Isolation.

➤ **SPECIFICATIONS:**

- Rated torques are with all alignment factors zero.
- The summation of the three alignment factors should not exceed 50%.
- The rated torque must be reduced by the summation of the alignment factors.



Special bores up to the maximum sizes listed available on special order.

INCH COMPONENT

Catalog Number	B Bore +.001 -.000	Max. Bore	O.D. ± .010	L Length ± .010	W Hub Width ± .005	Screw Size
S59DZ9-HCF120212	.125	3/8	.748	.78	.219	#4-40
S59DZ9-HCF120312	.1875					
S59DZ9-HCF120412	.250					
S59DZ9-HCF160319	.1875					
S59DZ9-HCF160419	.250	1/2	.984	1.20	.374	#6-32
S59DZ9-HCF160619	.375					
S59DZ9-HCF240423	.250	3/4	1.457	1.48	.394	#8-32
S59DZ9-HCF240623	.375					
S59DZ9-HCF240823	.500					

Catalog Number (Ref. Only)	Max. Cont. Torque ozf in.	Peak Torque ozf in.	Torsional Stiffness lbf in. per degree	Max. Shaft Misalignments	
				Lateral in.	Axial in.
S59DZ9-HCF12...	112	160	4.6	.009	.007
S59DZ9-HCF16...	272	384	9.9	.012	.009
S59DZ9-HCF24...	912	1296	31.3	.019	.014

