

PILLOW BLOCK HOUSINGS

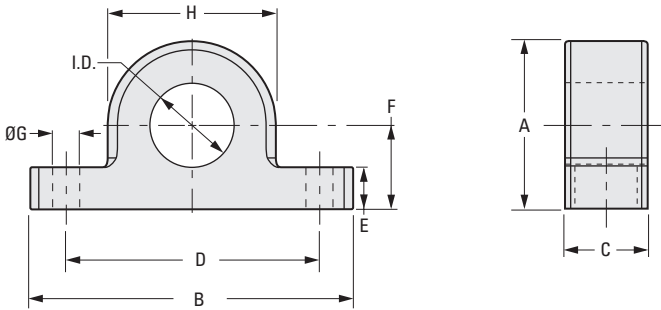


ECONOMICAL
SUITABLE FOR ADDITIONAL MACHINING
CAN BE USED FOR A WIDE RANGE OF COMPONENTS

PHONE: 516.328.3300 • FAX: 516.326.8827 • WWW.SDP-SI.COM



> **MATERIAL:**
Sintered Aluminum



INCH COMPONENT

Catalog Number	I.D. +.003 -.000	A	B	C	D	E	F	G Dia.	H
A 7Z28-P038	.375	3/4	1-7/16	3/8	1-1/8	3/16	3/8	13/64	3/4
A 7Z28-P050	.500	1-1/8	2-1/4	3/8	1-3/4	1/4	9/16	9/32	1-1/8
A 7Z28-P081	.812	1-9/16	3-1/4	5/8	2-1/2	5/16	3/4	11/32	1-5/8
A 7Z28-P125	1.250	1-15/16	4	5/8	3-1/8	13/32	1	11/32	1-7/8
A 7Z28-P158	1.580	2-9/16	5	13/16	4	9/16	1-1/4	9/16	2-5/8

- I
- R
- T
- 1
- 2
- 3
- 4
- 5
- 6
- 7
- 8
- 9
- 10
- 11
- 12
- 13
- 14
- 15
- 16