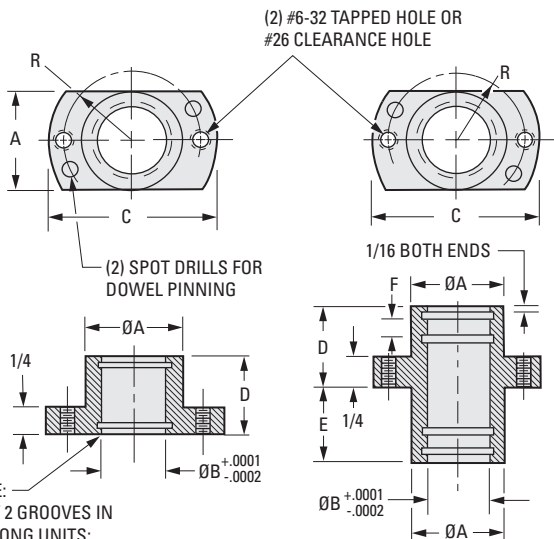
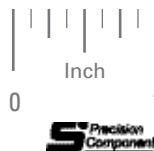


**> MATERIAL:**

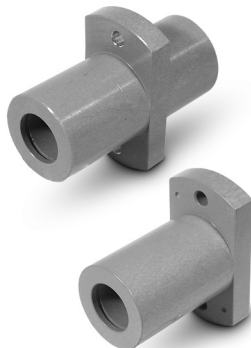
Aluminum, Chromic Anodized

PHONE: 516.328.3300 • FAX: 516.326.8827 • WWW.SDP-SI.COM



**Fig. 1**  
Single Hub

**Fig. 2**  
Double Hub



**INCH COMPONENT**

| Catalog Number           |                 | B Dia. | D     | E     | A Dia. | C     | R    | F    |
|--------------------------|-----------------|--------|-------|-------|--------|-------|------|------|
| Clearance Hole           | Tapped Hole     |        |       |       |        |       |      |      |
| <b>Fig. 1 Single Hub</b> |                 |        |       |       |        |       |      |      |
| S61AA3-SHH0812           | S61AA3-SHH0812T | .5000  | 3/4   | —     | 7/8    | 1-5/8 | .625 | .260 |
| S61AA3-SHH0816           | S61AA3-SHH0816T |        | 1     |       |        |       |      |      |
| S61AA3-SHH0824           | S61AA3-SHH0824T |        | 1-1/2 |       |        |       |      |      |
| S61AA3-SHH1012           | S61AA3-SHH1012T | .6250  | 3/4   | —     | 15/16  | 1-3/4 | .687 | .260 |
| S61AA3-SHH1016           | S61AA3-SHH1016T |        | 1     |       |        |       |      |      |
| S61AA3-SHH1024           | S61AA3-SHH1024T |        | 1-1/2 |       |        |       |      |      |
| <b>Fig. 2 Double Hub</b> |                 |        |       |       |        |       |      |      |
| S61AA3-DHH0624           | S61AA3-DHH0624T | .3750  | 3/4   | 3/4   | 3/4    | 1-1/2 | .562 | .187 |
| S61AA3-DHH0832           | S61AA3-DHH0832T | .5000  | 1     | 1     | 7/8    | 1-5/8 | .625 | .260 |
| S61AA3-DHH0848           | S61AA3-DHH0848T |        | 1-1/2 | 1-1/2 |        |       |      |      |