

NONMETALLIC BEARING BLOCKS



MOLDED
WITH FLANGED BEARING

PHONE: 516.328.3300 • FAX: 516.326.8827 • WWW.SDP-SI.COM

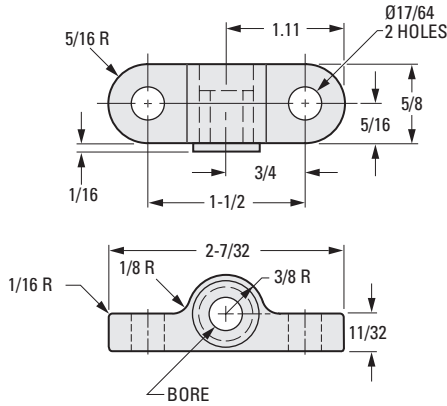


> MATERIAL:

Body - Nylon 101, Molded
Bearing - Ertalyte TX, Machined

> FEATURES:

Self-lubricating.
Low cost.
High-performance.
Electrically insulated.



INCH COMPONENT

Catalog Number	Bore +.002 -.000
A 7Z 6-F2206E	3/16
A 7Z 6-F2208E	1/4
A 7Z 6-F2210E	5/16
A 7Z 6-F2212E	3/8

- I
- R
- T
- 1
- 2
- 3
- 4
- 5**
- 6
- 7
- 8
- 9
- 10
- 11
- 12
- 13
- 14
- 15
- 16