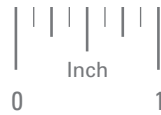
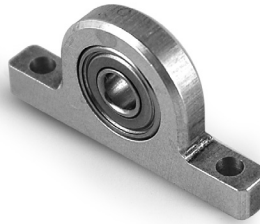


ABEC 3
 DOUBLE-SHIELDED
 CORROSION-RESISTANT
 LIGHTWEIGHT
 LUBRICATED FOR THE LIFE OF THE BEARING
 MEDICAL, SCIENTIFIC & PHARMACEUTICAL APPLICATIONS

PHONE: 516.328.3300 • FAX: 516.326.8827 • WWW.SDP-SI.COM

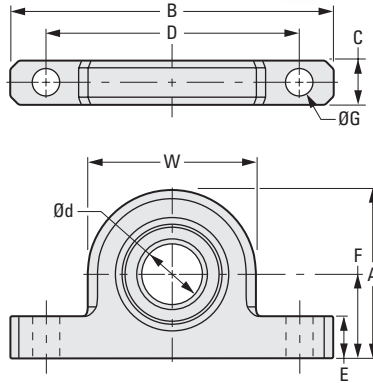


> MATERIAL:

Bearing - Stainless Steel
Pillow Block - Sintered Aluminum

> OPERATING TEMPERATURE:

-22°F to +248°F



INCH COMPONENT

Catalog Number	d Shaft Dia.	A Overall Height	B Overall Length	C Overall Width	D Mounting Length	E Nominal Flange Thickness
A 7Z29-XS125	.1250	.75	1.44	.2	1.125	.19
A 7Z29-XS188	.1875	.75	1.44	.2	1.125	.19
A 7Z29-XS250	.2500	.75	1.44	.2	1.125	.19
A 7Z29-XS313	.3125	.75	1.44	.2	1.125	.19
A 7Z29-XS375	.3750	1.13	2.25	.4	1.750	.25

Catalog Number (Ref.)	F Height to Centerline ± .001	G Mounting Hole Dia.	W Housing Width	Max. Speed rpm	Max. Radial Load lbf
A 7Z29-XS125	.3750	.125	.75	56000	150
A 7Z29-XS188	.3750	.125	.75	43000	310
A 7Z29-XS250	.3750	.125	.75	40000	256
A 7Z29-XS313	.3750	.125	.75	40000	128
A 7Z29-XS375	.5625	.203	1.13	32000	450

- I
- R
- T
- 1
- 2
- 3
- 4
- 5
- 6
- 7
- 8
- 9
- 10
- 11
- 12
- 13
- 14
- 15
- 16