

FLANGE-MOUNTED SINTERED BRONZE BEARINGS

SDP/SI

SELF-ALIGNING TO $\pm 5^\circ$
 SELF-LUBRICATING

PHONE: 516.328.3300 • FAX: 516.326.8827 • WWW.SDP-SI.COM



> MATERIAL:

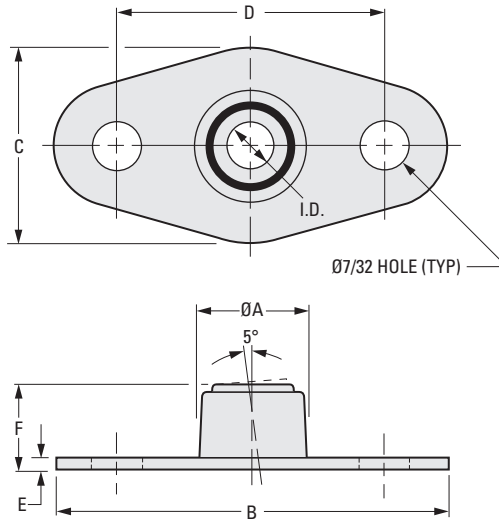
Bearing - Oil-Impregnated Sintered Bronze
Flange & Retainer - Carbon Steel, Black Oxide Finish

> OPERATING TEMPERATURE:

-20°F to +200°F

> SHAFT REQUIREMENTS:

Any material, soft or hard, R_s 95 min.,
 with a 16 μ in. or finer finish.



INCH COMPONENT

Catalog Number	Nom. I.D.	Actual I.D.		A Clearance Hole Dia. (Ref.)	B Overall Length	C Overall Width
		Min.	Max.			
A 7Z42-BFM187B	3/16	.1883	.1888	17/32	1.80	.88
A 7Z42-BFM250B	1/4	.2508	.2513			
A 7Z42-BFM312B	5/16	.3133	.3140	21/32	2.10	1.19
A 7Z42-BFM375B	3/8	.3758	.3765			
A 7Z42-BFM500B	1/2	.5010	.5017	27/32	2.35	1.44
A 7Z42-BFM625B	5/8	.6260	.6270	1-3/32		1.56
A 7Z42-BFM750B	3/4	.7510	.7520	1-9/32		1.85

Catalog Number (Ref.)	D Mount Dist.	E Nominal Flange Thickness	F Height	Max. Speed rpm	Max. Radial Load lbf	
A 7Z42-BFM187B	1.22	.05	.40	20310	190	
A 7Z42-BFM250B				15270		
A 7Z42-BFM312B	1.53	.06	.46	12240	270	
A 7Z42-BFM375B				10180	320	
A 7Z42-BFM500B	1.78	.09	.64	7640	600	
A 7Z42-BFM625B				.77	6110	890
A 7Z42-BFM750B				.89	5090	1280

5-69
 D820

REV:
 2/27/23

- I
- R
- T
- 1
- 2
- 3
- 4
- 5
- 6
- 7
- 8
- 9
- 10
- 11
- 12
- 13
- 14
- 15
- 16