

SELF-CLINCHING SINTERED BRONZE PRESSBEARINGS



SELF-ALIGNING TO $\pm 5^\circ$
 SELF-LUBRICATING

PHONE: 516.328.3300 • FAX: 516.326.8827 • WWW.SDP-SI.COM

> MATERIAL:

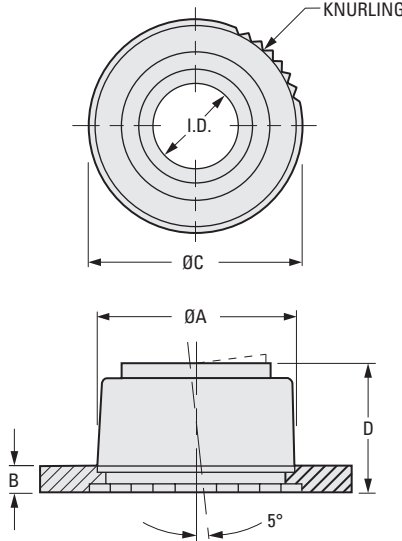
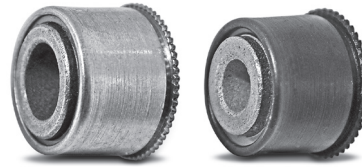
- Bearing** - Oil-Impregnated Sintered Bronze
- Retainer** - Carbon Steel, Black Oxide Finish or 300 Series Stainless Steel
- △ Carbon Steel, Zinc Plated.

> OPERATING TEMPERATURE:

-20°F to +200°F

> SHAFT REQUIREMENTS:

Any material, R_s 95 min., with a 16 μin. or finer finish.



INCH COMPONENT

Catalog Number *	Nom. I.D.	Actual I.D.		A Panel Hole Dia. +.003 - .000	B Min. Panel Thickness	C Knurl O.D.	D Height
		Min.	Max.				
A 7Z40-F □ B187	13/16	.1883	.1888	.500	.04	.55	.40
A 7Z40-F □ B250	1/4	.2508	.2513				
A 7Z40-F □ B312	5/16	.3133	.3140	.625	.06	.67	.46
△ A 7Z40-F □ B375	3/8	.3758	.3765				
△ A 7Z40-F □ B500	1/2	.5010	.5017	.812	.075	.87	.64
○ A 7Z40-FSB625	5/8	.6260	.6270	1.063		1.10	.77
○ A 7Z40-FXB750	3/4	.7510	.7520	1.250	.09	1.30	.89

Catalog Number (Ref.)	Max. Speed rpm	Max. Radial Load lbf	
		Steel	Stainless Steel
A 7Z40-F □ B187	20310	190	190
A 7Z40-F □ B250	15270	360	210
△ A 7Z40-F □ B312	12240	430	270
△ A 7Z40-F □ B375	10180		
A 7Z40-F □ B500	7640	600	350
○ A 7Z40-FSB625	6110	1650	950
○ A 7Z40-FXB750	5090	2000	1150

* To complete the Catalog Number, specify:

- for a **Carbon Steel Retainer**
- or for a **Stainless Steel Retainer**.

Example: For a Carbon Steel Retainer, specify Catalog Number A 7Z40-FSB250.

○ To be discontinued when present stock is depleted.

See next page for installation data