

PILLOW FLANGE-MOUNTED BALL BEARINGS



SELF-ALIGNING TO $\pm 5^\circ$
 PILLOW FLANGE-MOUNTED
 DOUBLE SHIELDS
 ABEC 3

PHONE: 516.328.3300 • FAX: 516.326.8827 • WWW.SDP-SI.COM



> MATERIAL:

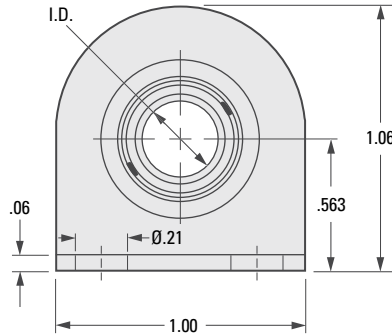
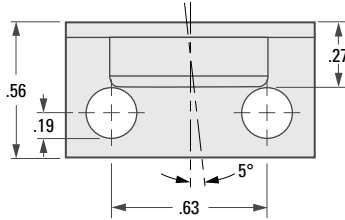
Bearing - High Chromium Alloy Steel
Flange & Retainer - Carbon Steel, Black Oxide Finish

> OPERATING TEMPERATURE:

-30°F to +250°F

> SPECIFICATIONS:

Max. Speed: 40000 rpm
Max. Radial Load - Static: 61 lbf
Dynamic: 122 lbf



INCH COMPONENT	
Catalog Number	Nom. I.D.
A 7Z59-PF187L	3/16
A 7Z59-PF250L	1/4
A 7Z59-PF312L	5/16

