

WITH INTEGRAL BEARING SHIM SPACER

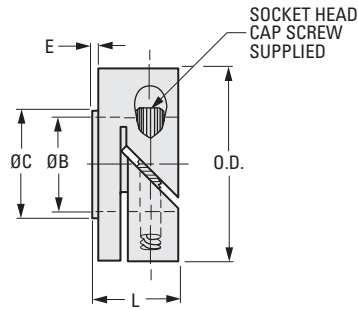
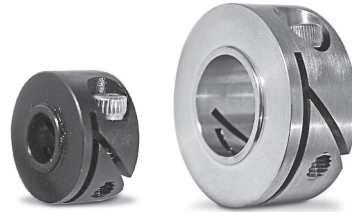
PHONE: 516.328.3300 • FAX: 516.326.8827 • WWW.SDP-SI.COM

> MATERIAL:

Brass, Black Oxide Finish
303 Stainless Steel

> FEATURES:

No shim spacers required.
Used to preload bearing.
Fairloc® eliminates marred shafts.
More holding strength than set screw collars.



INCH COMPONENT

Catalog Number		Shaft Size	O.D.	B Bore +.0010 -.0000	C Dia.	E	L	Screw Size
Brass - Black Oxide	303 Stainless Steel							
S25FB9-PC12015	S25FY9-PC12015	.12	.433	.1200	.189	.020	.276	#2-56
S25FB9-PC12515	S25FY9-PC12515	1/8	.433	.1250	.189	.020	.276	#2-56
S25FB9-PC18715	S25FY9-PC18715	3/16	.495	.1875	.250	.020	.276	#2-56
S25FB9-PC25021	S25FY9-PC25021	1/4	.630	.2500	.315	.020	.354	#4-40
S25FB9-PC31227	S25FY9-PC31227	5/16	.870	.3125	.394	.020	.433	#6-32
S25FB9-PC37527	S25FY9-PC37527	3/8	.870	.3750	.438	.020	.433	#6-32
S25FB9-PC50031	S25FY9-PC50031	1/2	.984	.5000	.578	.020	.433	#6-32
S25FB9-PC62537	S25FY9-PC62537	5/8	1.181	.6250	.750	.030	.551	#8-32
S25FB9-PC75047	S25FY9-PC75047	3/4	1.496	.7500	.866	.030	.630	#10-32

NOTE: Fairloc® collars require controlled shaft tolerances. Suggested clearance fit between bore and the shaft is .0001 / .0008.

