

MINIATURE

PHONE: 516.328.3300 • FAX: 516.326.8827 • WWW.SDP-SI.COM

> **MATERIAL:**

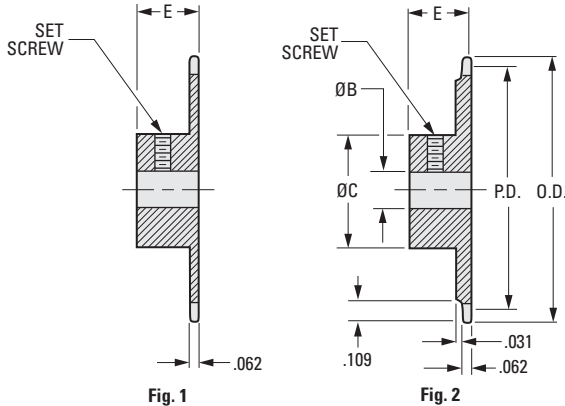
300 Series Stainless Steel

> **FINISH:**

Clear Passivated

> **SPECIFICATION:**

Ladder Chain A 6Y 8M375 can be used with these chain sprockets. See Metric Catalog D805 page 2-220.



INCH COMPONENT

Catalog Number	No of Teeth	P.D.	O.D.	B Bore +.001 -.000	E	C Dia.	Set Screw & Sub Drill
Fig. 1							
A 6X 7-1407	7	.340	.392	.0937	11/32	*15/64	#2-56 / .029
A 6X 7-1408	8	.385	.437	.125	11/32	* 9/32	#2-56 / .029
A 6X 7-1409	9	.431	.483	.125	11/32	*21/64	#2-56 / .029
A 6X 7-1410	10	.477	.529	.125	11/32	* 3/8	#2-56 / .029
A 6X 7-1412	12	.570	.622	.125	11/32	25/64	#2-56 / .029
A 6X 7-1415	15	.709	.761	.1875	11/32	17/32	#4-40 / .040
A 6X 7-1416	16	.756	.808	.1875	11/32	9/16	#4-40 / .040
A 6X 7-1418	18	.849	.901	.1875	11/32	21/32	#4-40 / .040
A 6X 7-1420	20	.943	.995	.1875	13/32	3/4	#4-40 / .040
A 6X 7-1420A	20	.943	.995	.250	13/32	3/4	#4-40 / .040
A 6X 7-1424	24	1.130	1.182	.250	13/32	3/4	#6-32 / .070
A 6X 7-1428	28	1.317	1.369	.250	13/32	3/4	#6-32 / .070
Fig. 2							
A 6X 7-1430	30	1.411	1.463	.250	13/32	3/4	#6-32 / .070
A 6X 7-1434	34	1.598	1.650	.250	13/32	3/4	#6-32 / .070
A 6X 7-1436	36	1.692	1.744	.250	13/32	3/4	#6-32 / .070
A 6X 7-1440	40	1.880	1.932	.250	13/32	3/4	#6-32 / .070
A 6X 7-1448	48	2.255	2.307	.250	13/32	3/4	#6-32 / .070

* Hubs are grooved 3/32 wide next to the sprockets to provide clearance for chain.

