

FOR 1/2" BELTS

PHONE: 516.328.3300 • FAX: 516.326.8827 • WWW.SDP-SI.COM

PATENTED  
MOLDED WITH METAL INSERT  
SINGLE OR DOUBLE FLANGE

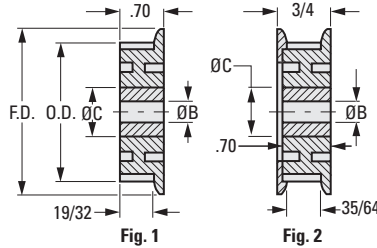


➤ MATERIAL:

**Pulley** - Nylon - Black, Fiberglass Reinforced  
**Insert** - Steel, Overmolded

➤ SPECIFICATION:

Pulleys with 10 to 12 grooves do not have webs.



INCH COMPONENT

Catalog Number		No. of Grooves	P.D.	O.D.	F.D.	B Bore +.002 -.000	C Dia.
Single Flange Fig. 1	Double Flange Fig. 2						
A 6T 4-H10SF5020	A 6T 4-H10DF5020	10 *	1.194	1.164	1.49	.625	3/4
A 6T 4-H11SF5020	A 6T 4-H11DF5020	11 *	1.313	1.283	1.63	.625	3/4
A 6T 4-H12SF5020	A 6T 4-H12DF5020	12 *	1.432	1.402	1.75	.625	3/4
A 6T 4-H13SF5024	A 6T 4-H13DF5024	13	1.552	1.522	1.79	.750	1
A 6T 4-H14SF5024	A 6T 4-H14DF5024	14	1.671	1.641	2.00	.750	1
A 6T 4-H15SF5024	A 6T 4-H15DF5024	15	1.790	1.760	2.12	.750	1
A 6T 4-H16SF5024	A 6T 4-H16DF5024	16	1.910	1.880	2.22	.750	1
A 6T 4-H17SF5024	A 6T 4-H17DF5024	17	2.029	1.999	2.34	.750	1
A 6T 4-H18SF5024	A 6T 4-H18DF5024	18	2.149	2.119	2.47	.750	1
A 6T 4-H19SF5024	A 6T 4-H19DF5024	19	2.268	2.238	2.57	.750	1
A 6T 4-H20SF5024	A 6T 4-H20DF5024	20	2.387	2.357	2.74	.750	1
A 6T 4-H21SF5024	A 6T 4-H21DF5024	21	2.507	2.477	2.85	.750	1
A 6T 4-H22SF5024	A 6T 4-H22DF5024	22	2.626	2.596	2.95	.750	1
A 6T 4-H24SF5024	A 6T 4-H24DF5024	24	2.865	2.835	3.15	.750	1
A 6T 4-H28SF5024	A 6T 4-H28DF5024	28	3.342	3.312	3.55	.750	1
A 6T 4-H30SF5024	A 6T 4-H30DF5024	30	3.581	3.551	3.78	.750	1
A 6T 4-H32SF5024	A 6T 4-H32DF5024	32	3.820	3.790	4.05	.750	1

\* Only these pulleys require a 3/4 O.D. x 5/8 I.D. x .050 thick washer.

APPLICABLE SHAFTLOC® SLEEVE

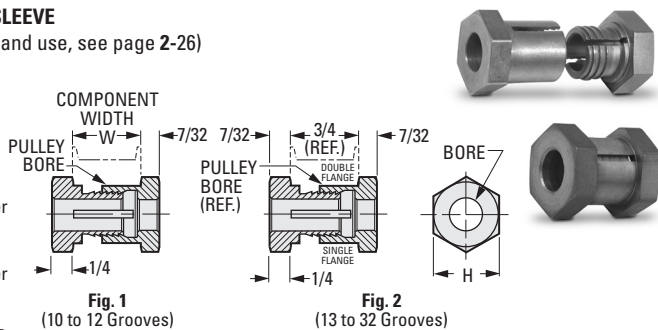
(For Shaftloc® Introduction and use, see page 2-26)

➤ MATERIAL:

416 Stainless Steel

➤ SPECIFICATIONS:

1. A 3/4 O.D. x 5/8 I.D. x .05 thick washer, Catalog Number **A 7X 8-C20050** is supplied.
2. A 7/8 O.D. x 3/4 I.D. x .05 thick washer, Catalog Number **A 7X 8-C24050** is supplied.



INCH COMPONENT

Catalog Number	See Above	Pulley Bore (Ref.)	Shaftloc Bore +.001 -.000	H Hex Size	Max. Torque Capacity* lbf in.
A 7Z37-030578	1	.625	.375	3/4	250
A 7Z37-040670	2	.750	.500	7/8	250

\* Based on mating components being degreased before assembly with Shaftloc® coupling.