

FOR 3/8" BELTS
NO FLANGE

PHONE: 516.328.3300 • FAX: 516.326.8827 • WWW.SDP-SI.COM

> MATERIAL:

Aluminum Alloy

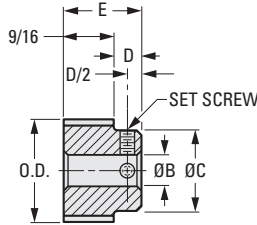
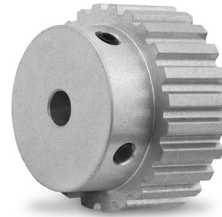
> FINISH:

Clear Anodized

> SPECIFICATIONS:

O.D. Tolerance: 10 to 16 grooves is $+.002/-0.000$
17 to 25 grooves is $+.003/-0.000$

Pulleys with 10 & 11 grooves have 1 set screw;
others have 2 set screws at 90°.



INCH COMPONENT

Catalog Number	No. of Grooves	P.D.	O.D.	B Bore $+.001$ $-.000$	E Length $\pm 1/64$	C Hub Dia. $\pm 1/64$	D Hub Proj.	Set Screw
A 6A 3-10NF03706	10	.637	.617	.1875	13/16	7/16	1/4	#6-40
A 6A 3-10NF03708	10	.637	.617	.250	13/16	7/16	1/4	#8-32
A 6A 3-11NF03706	11	.700	.680	.1875	13/16	1/2	1/4	#6-40
A 6A 3-11NF03708	11	.700	.680	.250	13/16	1/2	1/4	#8-32
A 6A 3-12NF03706	12	.764	.744	.1875	13/16	9/16	1/4	#6-40
A 6A 3-12NF03708	12	.764	.744	.250	13/16	9/16	1/4	#8-32
A 6A 3-14NF03708	14	.891	.871	.250	13/16	5/8	1/4	#8-32
A 6A 3-14NF03710	14	.891	.871	.3125	13/16	5/8	1/4	#8-32
A 6A 3-15NF03708	15	.955	.935	.250	7/8	11/16	5/16	#8-32
A 6A 3-15NF03710	15	.955	.935	.3125	7/8	11/16	5/16	#8-32
A 6A 3-15NF03712	15	.955	.935	.375	7/8	11/16	5/16	#8-32
A 6A 3-16NF03708	16	1.019	.999	.250	7/8	3/4	5/16	#8-32
A 6A 3-16NF03710	16	1.019	.999	.3125	7/8	3/4	5/16	#8-32
A 6A 3-17NF03708	17	1.082	1.062	.250	7/8	13/16	5/16	#8-32
A 6A 3-18NF03708	18	1.146	1.126	.250	7/8	7/8	5/16	#8-32
A 6A 3-18NF03710	18	1.146	1.126	.3125	7/8	7/8	5/16	#8-32
A 6A 3-18NF03712	18	1.146	1.126	.375	7/8	7/8	5/16	#8-32
A 6A 3-19NF03708	19	1.210	1.190	.250	7/8	7/8	5/16	#8-32
A 6A 3-20NF03708	20	1.273	1.253	.250	15/16	15/16	3/8	#8-32
A 6A 3-20NF03710	20	1.273	1.253	.3125	15/16	15/16	3/8	#8-32
A 6A 3-20NF03712	20	1.273	1.253	.375	15/16	15/16	3/8	#10-32
A 6A 3-21NF03708	21	1.337	1.317	.250	15/16	1	3/8	#8-32
A 6A 3-21NF03710	21	1.337	1.317	.3125	15/16	1	3/8	#8-32
A 6A 3-22NF03708	22	1.401	1.381	.250	15/16	1-1/16	3/8	#8-32
A 6A 3-22NF03710	22	1.401	1.381	.3125	15/16	1-1/16	3/8	#8-32
A 6A 3-22NF03712	22	1.401	1.381	.375	15/16	1-1/16	3/8	#10-32
A 6A 3-23NF03708	23	1.464	1.444	.250	15/16	1-1/8	3/8	#8-32
A 6A 3-24NF03708	24	1.528	1.508	.250	15/16	1-3/16	3/8	#8-32
A 6A 3-24NF03710	24	1.528	1.508	.3125	15/16	1-3/16	3/8	#8-32
A 6A 3-24NF03712	24	1.528	1.508	.375	15/16	1-3/16	3/8	#10-32
A 6A 3-25NF03708	25	1.592	1.572	.250	15/16	1-1/4	3/8	#8-32
A 6A 3-25NF03712	25	1.592	1.572	.375	15/16	1-1/4	3/8	#10-32

Continued on the next page

FOR 3/8" BELTS
NO FLANGE

PHONE: 516.328.3300 • FAX: 516.326.8827 • WWW.SDP-SI.COM

► **MATERIAL:**

Aluminum Alloy

► **FINISH:**

Clear Anodized

► **SPECIFICATIONS:**

O.D. Tolerance: 27 to 30 grooves is +.003/-0.000
32 to 60 grooves is +.004/-0.000
72 grooves is +.005/-0.000

All pulleys have 2 set screws at 90°.

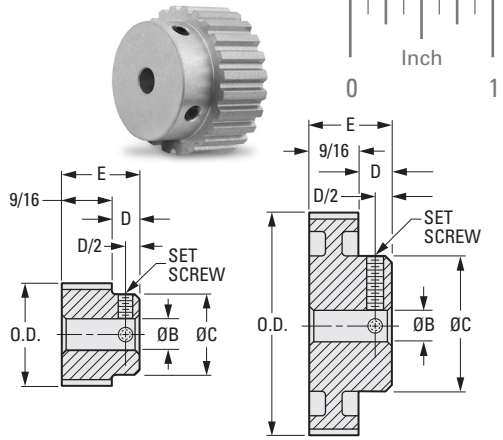


Fig. 1

Fig. 2

INCH COMPONENT

Catalog Number	No. of Grooves	P.D.	O.D.	B Bore +.001 -.000	E Length ± 1/64	C Hub Dia. ± 1/64	D Hub Proj.	Set Screw
Fig. 1								
A 6A 3-27NF03710	27	1.719	1.699	.3125	15/16	1-1/4	3/8	#8-32
A 6A 3-28NF03708	28	1.783	1.763	.250	15/16	1-1/4	3/8	#8-32
A 6A 3-28NF03710	28	1.783	1.763	.3125	15/16	1-1/4	3/8	#8-32
A 6A 3-28NF03712	28	1.783	1.763	.375	15/16	1-1/4	3/8	#10-32
A 6A 3-29NF03710	29	1.846	1.826	.3125	15/16	1-5/16	3/8	#8-32
A 6A 3-30NF03708	30	1.910	1.890	.250	15/16	1-3/8	3/8	#8-32
A 6A 3-30NF03710	30	1.910	1.890	.3125	15/16	1-3/8	3/8	#8-32
A 6A 3-30NF03712	30	1.910	1.890	.375	15/16	1-3/8	3/8	#10-32
A 6A 3-32NF03710	32	2.037	2.017	.3125	1	1-1/2	7/16	#8-32
A 6A 3-32NF03712	32	2.037	2.017	.375	1	1-1/2	7/16	#10-32
A 6A 3-32NF03716	32	2.037	2.017	.500	1	1-1/2	7/16	1/4-20
A 6A 3-36NF03710	36	2.292	2.272	.3125	1	1-1/2	7/16	#8-32
A 6A 3-36NF03712	36	2.292	2.272	.375	1	1-1/2	7/16	#10-32
A 6A 3-36NF03716	36	2.292	2.272	.500	1	1-1/2	7/16	1/4-20
Fig. 2								
A 6A 3-40NF03710	40	2.546	2.526	.3125	1	1-1/2	7/16	#8-32
A 6A 3-40NF03712	40	2.546	2.526	.375	1	1-1/2	7/16	#10-32
A 6A 3-40NF03716	40	2.546	2.526	.500	1	1-1/2	7/16	1/4-20
A 6A 3-42NF03710	42	2.674	2.654	.3125	1	1-1/2	7/16	#8-32
A 6A 3-42NF03712	42	2.674	2.654	.375	1	1-1/2	7/16	#10-32
A 6A 3-42NF03716	42	2.674	2.654	.500	1	1-1/2	7/16	1/4-20
A 6A 3-44NF03710	44	2.801	2.781	.3125	1	1-1/2	7/16	#8-32
A 6A 3-44NF03712	44	2.801	2.781	.375	1	1-1/2	7/16	#10-32
A 6A 3-44NF03716	44	2.801	2.781	.500	1	1-1/2	7/16	1/4-20
A 6A 3-45NF03710	45	2.865	2.845	.3125	1	1-1/2	7/16	#8-32
A 6A 3-45NF03712	45	2.865	2.845	.375	1	1-1/2	7/16	#10-32
A 6A 3-45NF03716	45	2.865	2.845	.500	1	1-1/2	7/16	1/4-20
A 6A 3-48NF03710	48	3.056	3.036	.3125	1	1-1/2	7/16	#8-32
A 6A 3-48NF03712	48	3.056	3.036	.375	1	1-1/2	7/16	#10-32
A 6A 3-48NF03716	48	3.056	3.036	.500	1	1-1/2	7/16	1/4-20
A 6A 3-50NF03710	50	3.183	3.163	.3125	1	1-1/2	7/16	#8-32
A 6A 3-50NF03712	50	3.183	3.163	.375	1	1-1/2	7/16	#10-32
A 6A 3-50NF03716	50	3.183	3.163	.500	1	1-1/2	7/16	1/4-20
A 6A 3-60NF03710	60	3.820	3.800	.375	1	1-1/2	7/16	#10-32
A 6A 3-60NF03716	60	3.820	3.800	.500	1	1-1/2	7/16	1/4-20
A 6A 3-72NF03712	72	4.584	4.564	.375	1	1-1/2	7/16	#10-32
A 6A 3-72NF03716	72	4.584	4.564	.500	1	1-1/2	7/16	1/4-20

Continued from the previous page