

BELT WIDTHS

INCH - 1/4, 5/16, 3/8 & 1/2

METRIC - 6, 8, 9.5 & 12.7 mm

> MATERIAL:

Body - Polyurethane
Cord - Kevlar

> SPECIFICATIONS:

Breaking Strength:

130 lbf per 1/8 in. (182 N per 1 mm) Belt Width; not representative of the load-carrying capacity of the belt.

Temperature Range:

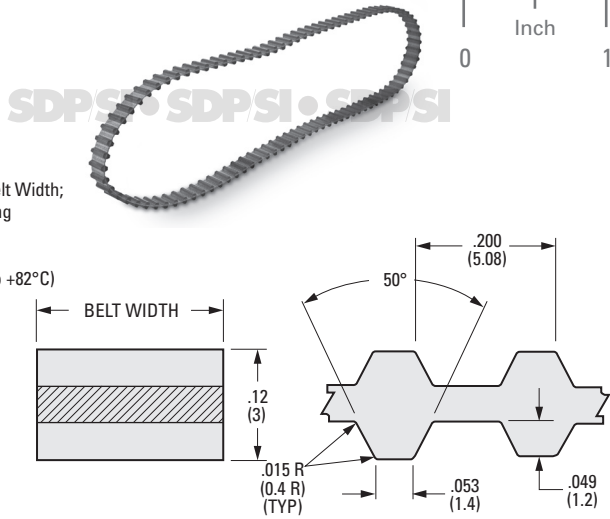
Continuous: -30°F to +180°F (-34°C to +82°C)

Intermittent: up to +250°F (+121°C)

> MODIFICATIONS:

Special Widths - cut to size from sleeves available from stock.

Pulleys are available with inch or metric standards.



NOTE: Dimensions in () are mm.

INCH COMPONENT CATALOG NUMBER

A 6 B 3 - D

No. of Grooves Code

Belt Width Inch	Width Code
1/4	025
5/16	031
3/8	037
1/2	050

METRIC COMPONENT CATALOG NUMBER

A 6 B 3 M D

No. of Grooves Code

Belt Width mm	Width Code
6	060
8	080
9.5	095
12.7	127

Groove Code	Pitch Length	
	Inch	mm
070	14.0	355.6
073	14.6	370.84
083	16.6	421.64
085	17.0	431.8
090	18.0	457.2
095	19.0	482.6
100	20.0	508
105	21.0	533.4
110	22.0	558.8
115	23.0	584.2
120	24.0	609.6
135	27.0	685.8
160	32.0	812.8
188	37.6	955.04
200	40.0	1016
215	43.0	1092.2
245	49.0	1244.6

